

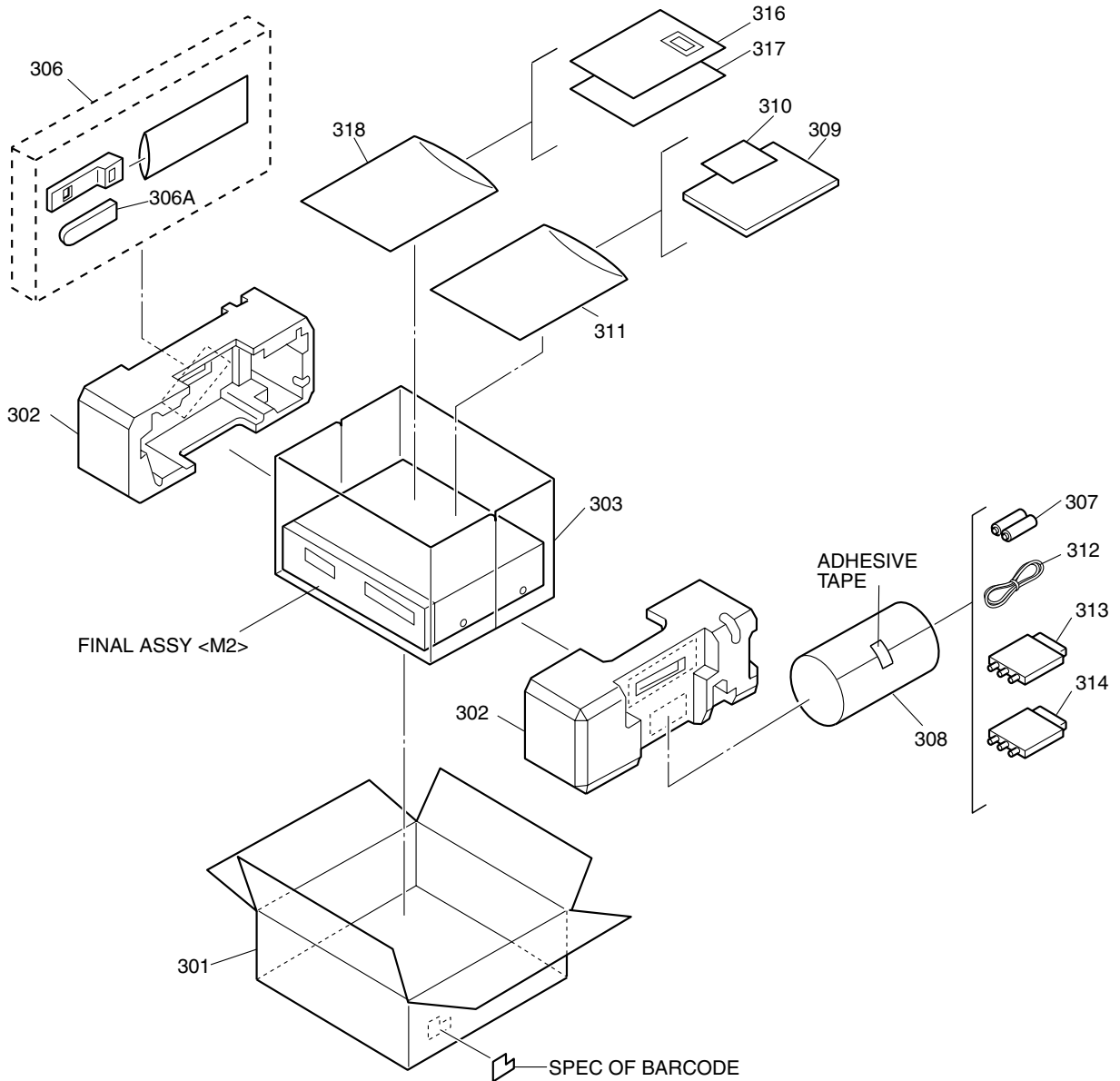
SECTION 5 PARTS LIST

SAFETY PRECAUTION

Parts identified by the \triangle symbol are critical for safety. Replace only with specified part numbers.

5.1 PACKING AND ACCESSORY ASSEMBLY <M1>

The instruction manual to be provided with this product will differ according to the destination.



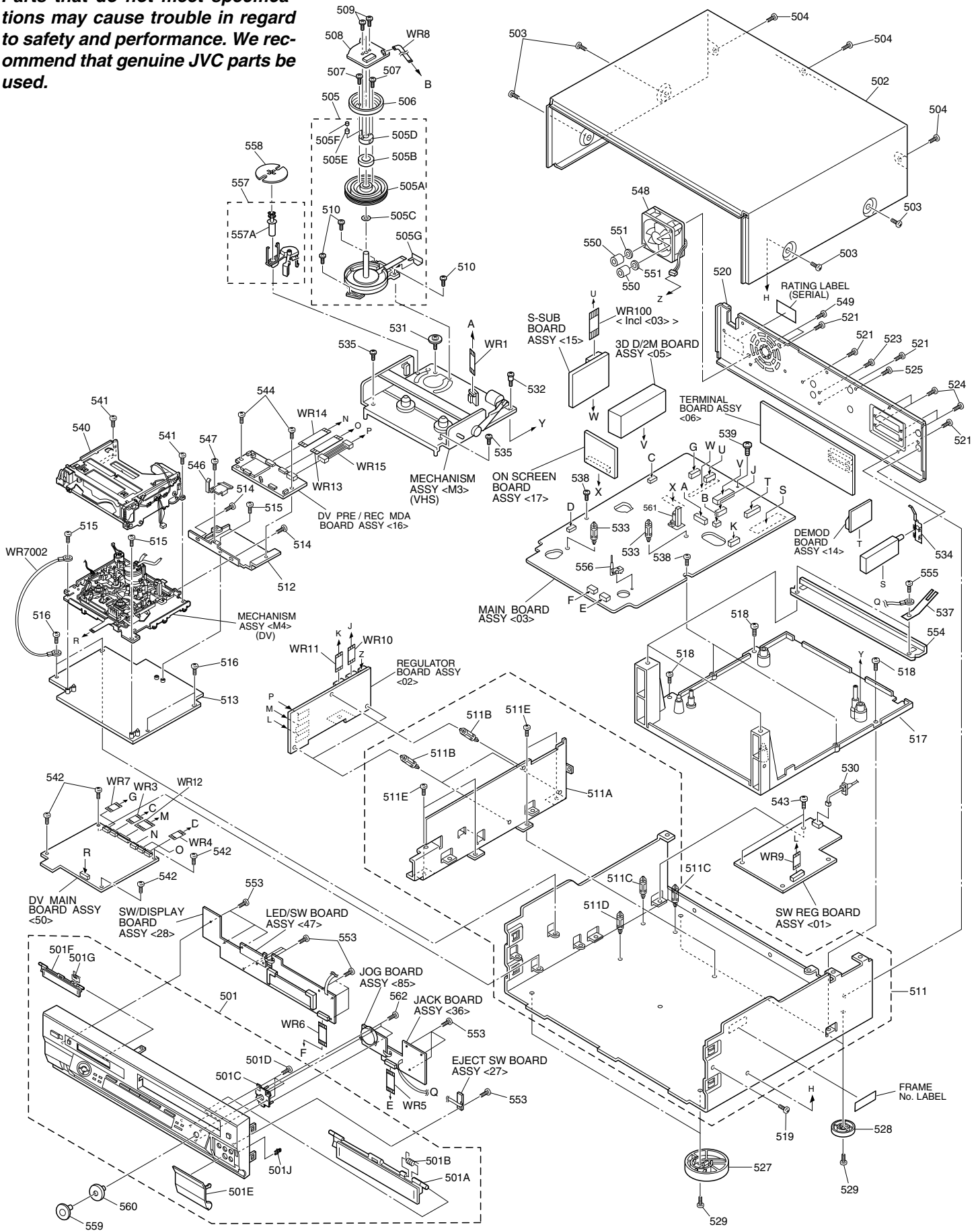
# \triangle REF No.	PART No.	PART NAME, DESCRIPTION	# \triangle REF No.	PART No.	PART NAME, DESCRIPTION

PACKING AND ACCESSORY ASSEMBLY <M1>					
301	LP30823-005A	PACKING CASE	\triangle 309	LPT0528-001A	INST.BOOK(EN)
302	LP30868-001B	CUSHION ASSY	310	LPT0528-002A	SHEET(INFO.)
303	PQM30021-105	POLY BAG	311	QPC02503530P	POLY BAG
306	LP20873-006A	REMOTE CONTROLLER	312	PEAC0348-02	RF CABLE
306A	LP40254-006A	COVER(BATTERY)	313	QAM0092-001	ADAPTOR PLUG
307	-	BATTERY,X2("R6"TYPE)	314	QAM0093-001	ADAPTOR PLUG
308	QPC02202230P	POLY BAG	316	BT-56001-2	WARRANTY CARD
			317	BT-56002-2	SER.NET CARD
			318	QPC02503515P	POLY BAG

5.2 FINAL ASSEMBLY <M2>

BEWARE OF BOGUS PARTS

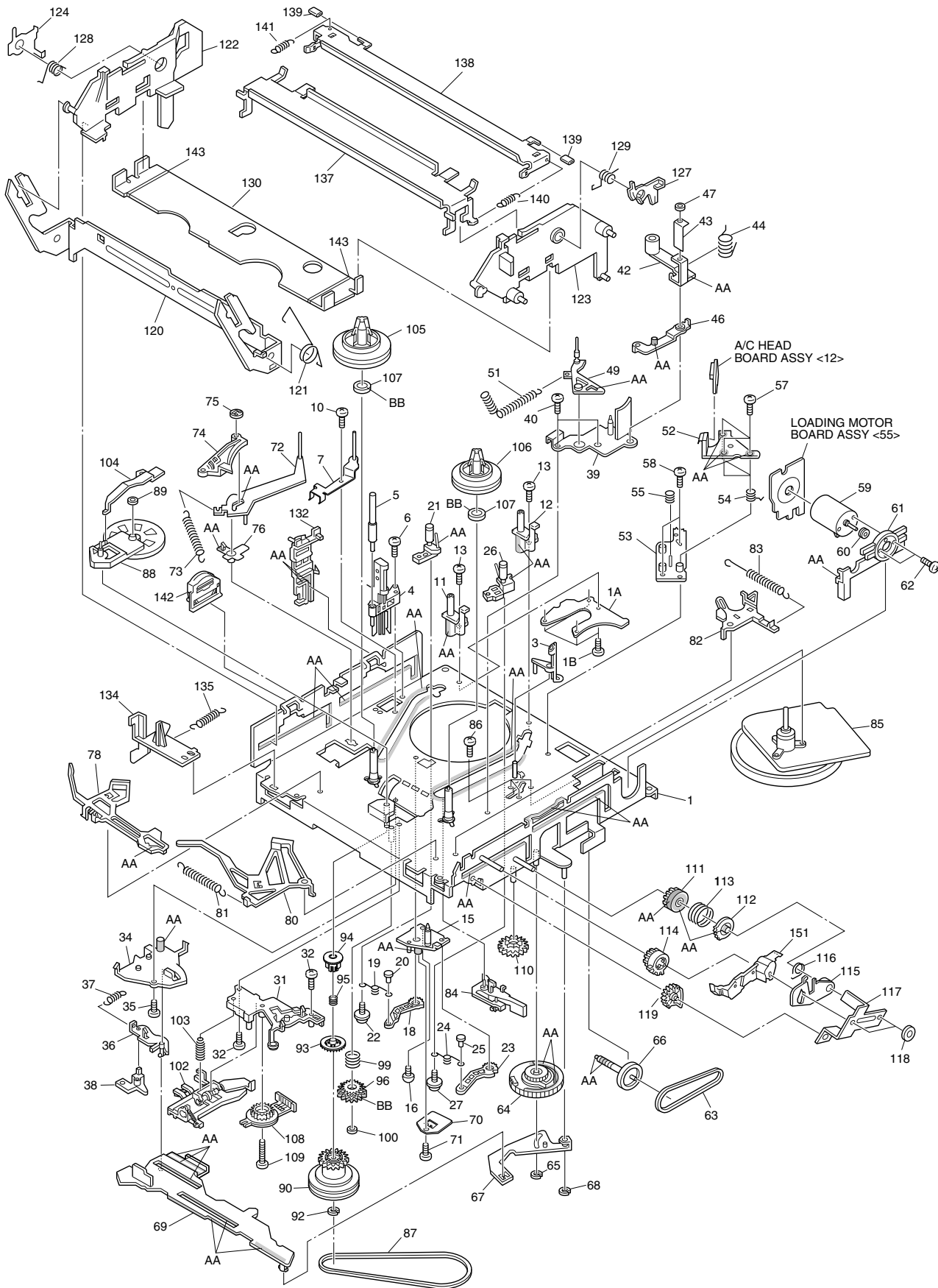
Parts that do not meet specifications may cause trouble in regard to safety and performance. We recommend that genuine JVC parts be used.



#	△	REF No.	PART No.	PART NAME, DESCRIPTION	#	△	REF No.	PART No.	PART NAME, DESCRIPTION

FINAL ASSEMBLY <M2>									
△		501	LP10331-006A	FRONT PANEL ASSY			541	QYTDSP2004Z	SCREW,X2
		501A	LP20968-002A	CASSETTE DOOR,VHS			542	QYTDST3006Z	SCREW,X4 DV MAIN
		501B	PQ46448	TORSION SPRING,VHS			543	QYTDST3006Z	SCREW,X2 SW.RWG
		501C	LP30757-001A	BASE(J/S)			544	QYTDST3006Z	SCREW,X2 PRE/REC MDA
		501D	QYTDSF2608Z	SCREW,X3			546	LP30553-001A	EARTH PLATE,DV CASSETTE HOUSING
		501E	LP30763-006A	DOOR(JACK)			547	QYTDST2004Z	SCREW
		501F	LP30756-001A	CASSETTE DOOR(DV)			548	QAR0121-001	FAN MOTOR
		501G	LP40688-001A	SPRING(DV)			549	QYTDSP4030M	SCREW,X2
		501J	PU60109	CATCHER			550	QYNNS4000Z	NUT,X2
△		502	LP10128-006A	TOP COVER			551	QYWLS4277A0Z	SPRING WASHER,X2
		503	QYTDST3006R	SCREW,X4 TOP COVER(SIDE)			553	QYTDSF2608Z	SCREW,X13 FRONT BOARD
		504	QYTDST3006M	SCREW,X3 TOP COVER(REAR)			554	LP30312-001B	BRACKET(CHASSIS)
		505	LP20617-016A	DRUM SUB ASSY			555	QYTDSF3010Z	SCREW,X2 BRACKET
		505A	LP20030-023A	UPPER DRUM ASSY			556	LP40407-001A	KNOB ASSY
		505B	LP40543-001A	CAP			557	LP40370-001E	ROLLER ARM ASSY
		505C	PDM4444-19-2	WASHER			557A	PDM4311A-1	ROLLER ASSY
		505D	LP40572-001A	COLLAR ASSY			558	PQ45160	INERTIA PLATE
		505E	LP40323-001A	CONTACT			559	LP30760-001A	KNOB(JOG)
		505F	LP30004-014A	COMPRESION SPRING			560	LP30761-001B	KNOB(SHUTTLE)
		505G	LP40174-001B	FPC PLATE			561	LP40253-001B	STOPPER
		506	PDZ0179-1-4	ROTOR ASSY			562	QYTDSF2608Z	SCREW,X3 JOG
		507	QYSPSP3006Z	SCREW,X2			WR1	WJT0005-002A	E-CARD WIRE,A/C HEAD CN2001
△		508	QAR0119-001	STATOR ASSY			WR3	QUQ210-0830CC	FFC WIRE,DV MAIN CN2601
		509	QYSPSPH2606Z	SCREW,X2			WR4	QUQ210-0620CC	FFC WIRE,DV MAIN CN3014
		510	QYTDST2610Z	SCREW,X3 DRUM			WR5	QUQ112-1610CG	FFC WIRE,FRONT CN7507
△		511	LP10156-003B	BOTTOM CHASSIS ASSY			WR6	QUQ112-1810CG	FFC WIRE,FRONT CN3011
		511A	LP10130-002B	BRACKET(1)			WR7	QJN019-063411	SHI CR C-C WIRE,DV MAIN CN703
		511B	PEME0834	SPACER (BOARD),X3			WR8	QUQ212-0516CG	FFC WIRE,DRUM CN3001
		511C	LP40696-001A	HOLDER(BOARD),X2			WR9	QUQ212-1910CG	FFC WIRE,SW/REG CN5301
		511D	LP40696-002A	HOLDER(BOARD)			WR10	QUQ212-1328CG	FFC WIRE,REG CN7508
		511E	QYTDST3006Z	SCREW,X4			WR11	QUQ212-1536CG	FFC WIRE,REG CN7509
		512	LP30352-001B	BRACKET(DV),MECHA			WR12	QJJ001-101400	SIN CR C-C WIRE,DV MAIN CN5323
		513	LP20359-001B	BASE(2),DV MECHA			WR13	QUQ105-2010AA	FFC WIRE,DV PRE/REC CN1501
		514	QYTDST2004Z	SCREW,X2 DV MECHA			WR14	QUQ105-2610AA	FFC WIRE,DV PRE/REC CN2001
		515	QYTDSF2606Z	SCREW,X3 DV MECHA			WR15	QJJ001-051200	SIN CR C-C WIRE,DV PRE/REC CN5324
		516	QYTDST3006Z	SCREW,X4 BASE(2)			WR7002	QUB220-05XLXL	SIN TWIST WIRE
		517	LP20939-001C	BASE(1),VHS					
		518	QYTDST3006Z	SCREW,X3 BASE(1)					
		519	QYTDSF3010Z	SCREW,BOTTOM CHASSIS					
△		520	LP10339-001A	REAR COVER					
		521	QYTDST3006M	SCREW,X4 REAR COVER					
		523	QYTDSF3008M	SCREW,JACK					
		524	QYTDSF3008M	SCREW,X4 PERI					
		525	QYTDSF3008M	SCREW,S JACK					
		527	PQ46617C	FOOT ASSY,X2					
		528	PQ35504	FOOT(2),X2					
		529	QYTDST3006Z	SCREW,X4 FOOT					
△		530	QMP2990-220	POWER CORD					
		531	PQ40413	SPECIAL SCREW,VHS MECHA					
		532	LP40700-001A	SPECIAL SCREW,VHS MECHA					
		533	LP40226-001A	PC SUPPORT,X2					
		534	PQ21623-2-5	EARTH PLATE(RF)					
		535	QYTDSF3010Z	SCREW,X2 VHS MECHA					
		537	PQ41556	EARTH PLATE,CASS.H					
		538	QYTDSF3010Z	SCREW,X2 VHS MAIN					
		539	QYTDST3006Z	SCREW,VHS MAIN					
		540	LY30428-004A	CASSETTE HOUSING ASSY,DV					

5.3 MECHANISM ASSEMBLY (VHS) <M3>



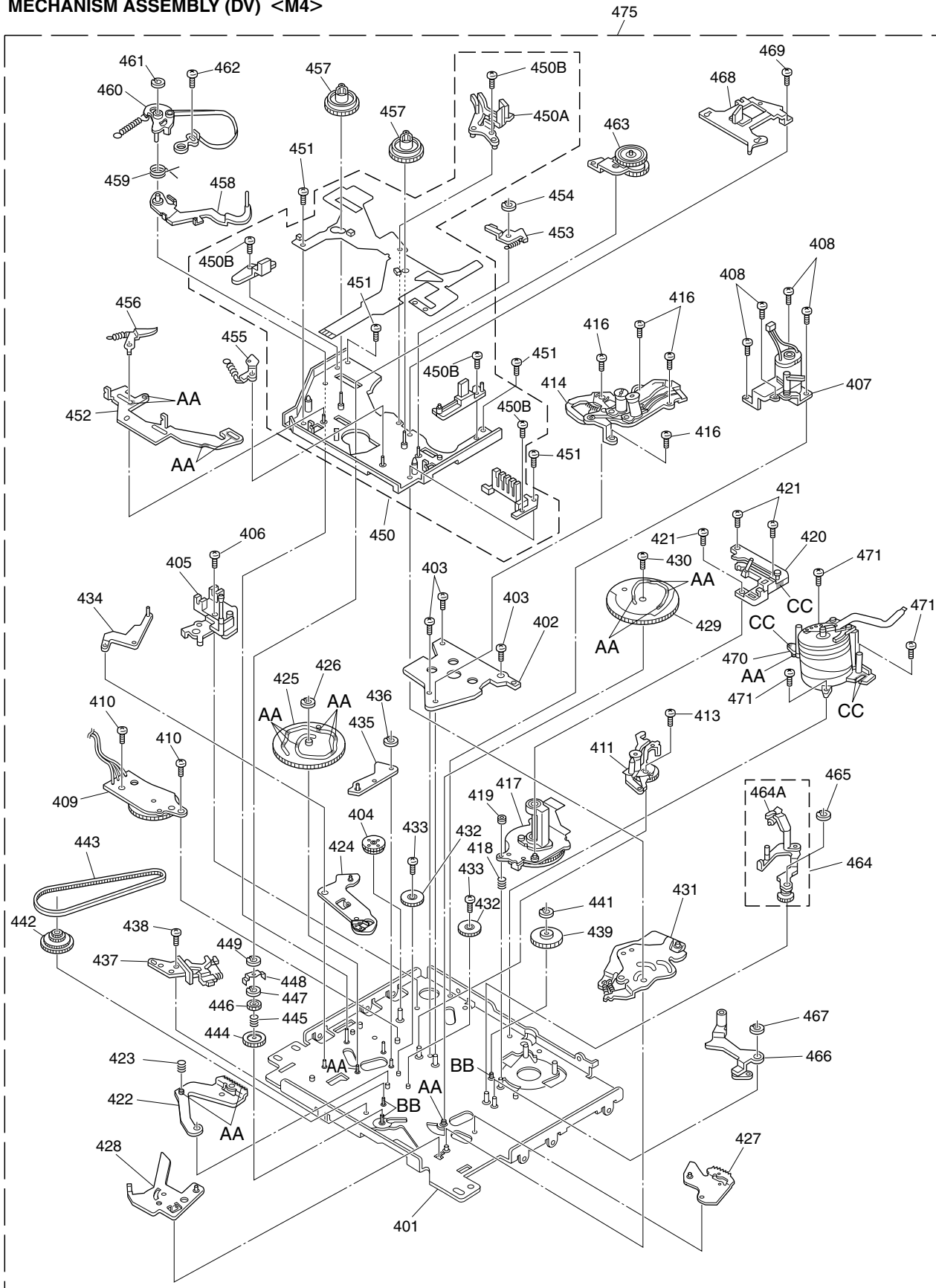
Classification	Part No.	Symbol in drawing
Grease	KYODO-SH-P	AA
Oil	COSMO-HV56	BB

NOTE: This section indicates that the grease and oil are to be applied on locations marked with AA and BB. During checking and servicing, check if grease has been applied on the locations marked with AA and oil on the locations marked with BB.

#	△	REF No.	PART No.	PART NAME, DESCRIPTION	#	△	REF No.	PART No.	PART NAME, DESCRIPTION

MECHANISM ASSEMBLY(VHS) <M3>									
1			LP20821-002F	MAIN DECK ASSY	72			LP40108-002A	TENSION ARM ASSY
1A			LP40275-004B	PLATE(SUPPLY)	73			LP30003-010A	TENSION SPRING
1B			QYTDST2605Z	SCREW,X4	74			LP40109-003D	TENSION BRAKE ASSY
3			LP30492-002B	GIDE POLE GUARD	75			PQ46302-1-3	ADJUST PIN
4			NAH0001-001	FULL ERASE HEAD	76			LP30232-002A	TENSION ARM BEARING
5			LP40098-001B	GUIDE POLE(SUPPLY)	78			LP40532-009B	MAIN BRAKE ASSY (SUPPLY)
6			QYTDST2608Z	SCREW	80			LP40111-014C	MAIN BRAKE ASSY (TAKE UP)
7			LP40637-002A	TENSION STUD BASE ASSY	81			LP30003-029A	TENSION SPRING
10			QYTDST2606Z	SCREW	82			LP40112-001F	SUB BRAKE ASSY(TAKE UP)
11			LP30409-002C	UV CATCHER 2(SUPPLY)	83			LP40357-001B	TENSION SPRING
12			LP30409-002C	UV CATCHER 2(TAKE UP)	84			LP40461-001A	CAPSTAN BRAKE ASSY
13			QYTPST2606Z	SCREW,X2	85			QAR0132-001	CAPSTAN MOTOR
15			LP30223-003C	LOADING ARM GEAR SHAFT	86			QYTDSF2606M	SCREW,X3
16			QYTDST2606Z	SCREW	87			LP30005-008A	BELT,CAPSTAN MOTOR
18			LP30224-001B	LOADING ARM GEAR(SUPPLY)	88			LP40114-011B	IDLER ARM ASSY
19			LP40099-001A	TORSION ARM	89			LP30016-001A	SLIT WASHER
20			LP40100-001A	PIN	90			LP40593-003B	CLUTCH UNIT 3
21			LP40101-006A	POLE BASE ASSY(SUPPLY)	92			PQM30017-47	SLIT WASHER
22			QYSPSTG2606Z	SCREW	93			LP30696-002A	CLUTCH GEAR 4
23			LP40103-002B	LOADING ARM GEAR(TAKE UP)	94			LP30697-003A	COUPLING GEAR
24			LP40099-001A	TORSION ARM	95			LP40554-002A	COMPRESSION SPRING
25			LP40100-001A	PIN	96			LP40442-001A	DIRECT GEAR
26			LP40104-006A	POLE BASE ASSY(TAKE UP)	99			LP40483-002A	COMPRESSION SPRING
27			QYSPSTG2606Z	SCREW	100			LP30016-001A	SLIT WASHER
31			LP20233-004B	ROTARY ENCODER GUIDE	102			LP40484-003B	CHANGE LEVER ASSY
32			QYTPST2606Z	SCREW	103			LP40512-002B	COMPRESSION SPRING
34			LP30226-004D	CONTROL PLATE GUIDE	104			LP30236-002C	IDLER LEVER
35			QYTPST2605Z	SCREW	105			LP20237-003B	REEL DISK ASSY(SUPPLY)
36			LP30249-003B	TAKE UP LEVER	106			LP20238-003B	REEL DISK ASSY(TAKE UP)
37			LP30003-006A	TENSION SPRING	107			LP30017-015A	SPACER,X2
38			LP40119-002A	T.UP HEAD	108			QSW0554-003	ROTARY ENCODER
39			LP20234-004B	LID GUIDE	109			LP40746-001A	SPECIAL SCREW
40			QYTDST2606Z	SCREW,X2	110			LP30237-002B	CASSETTE GEAR
42			LP40105-003A	PINCH ROLLER ARM ASSY	111			LP30239-002G	LIMIT GEAR(1)
43			LP40753-001A	PINCH ROOLER SHEET3	112			LP30240-002G	LIMIT GEAR(2)
44			LP40148-002A	TORSION SPRING	113			LP40136-001E	TORSION SPRING
46			LP40149-001C	PRESS LEVER ASSY	114			LP30242-002A	RELAY GEAR
49			LP40106-007A	GUIDE ARM ASSY	115			LP30339-002E	OPENER GUIDE
51			LP40134-001C	TENSION SPRING	116			LP40545-001A	TORSION SPRING
52			QAH0010-004	AC HEAD	117			LP40214-001B	C.H.BRACKET
53			LP30228-001A	HEAD BASE	118			PQM30017-47	SLIT WASHER,X2
54			LP30004-013A	COMPRESSION SPRING,X3	119			LP30243-001D	DRIVE GEAR
55			LP40236-001A	COMPRESSION SPRING	120			LP20240-001G	DRIVE ARM
57			LP40213-002B	SPECIAL SCREW,X3	121			LP40137-001A	TORSION SPRING
58			QYTDST2608Z	SCREW,X2	122			LP10081-002L	SIDE HOLDER(L)
59			QAR0023-001	LOADING MOTOR	123			LP10082-002M	SIDE HOLDER(R)
60			PQ43546-1-2	MOTOR PULLEY	124			LP30255-006A	LOCK LEVER(L)
61			LP30230-001B	MOTOR GUIDE	127			LP30256-001H	LOCK LEVER(R)
62			QYTPSP3003Z	SCREW,X2	128			LP40168-003A	TORSION SPRING(L)
63			LP30005-003A	BELT,LOADING MOTOR	129			LP40218-001B	TORSION SPRING(R)
64			LP20791-002D	CONTROL CAM	130			LP30257-001G	CASSETTE HOLDER
65			PQM30017-24	SLIT WASHER	132			LP30244-002G	GUIDE RAIL
66			LP40120-001A	WORM GEAR	134			LP30245-002F	REC SAFETY LEVER
67			LP40107-002A	LINK LEVER ASSY	135			LP30003-004A	TENSION SPRING
68			PQM30017-24	SLIT WASHER	137			LP20578-001C	TOP GUIDE
69			LP10284-002E	CONTROL PLATE	138			LP30500-001C	HOLD PLATE
70			LP40379-001B	CONTROL BRACKET(1)	139			LP40450-003A	PAD,X2
71			QYTDSF2608M	SCREW	140			LP30003-025B	TENSION SPRING
					141			LP30003-024A	TENSION SPRING
					142			LP40481-003A	ROLLER CAM ASSY
					143			LP30019-014A	PAD,X2
					151			LP20324-003B	DOOR OPENER

5.4 MECHANISM ASSEMBLY (DV) <M4>



Classification	Part No.	Symbol in drawing
Grease	KYODO-SH-P	AA
Oil	YTU94027	BB
Grease	RX-410R	CC

- NOTES:**
- This section indicates that the grease and oil are to be applied on locations marked with AA, BB and CC. During checking and servicing, check if grease has been applied on the locations marked with AA, CC and oil on the locations marked with BB.
 - Apply also grease and oil on some locations in the main cam gear and the cam groove at the rear side of the sub cam gear.

#	△	REF No.	PART No.	PART NAME, DESCRIPTION	#	△	REF No.	PART No.	PART NAME, DESCRIPTION

MECHANISM ASSEMBLY(DV) <M4>									
401			LY10062-001B	MAIN DECK ASSY	460			LY41246-001C	BAND ARM PLATE SUB ASSY
402			LY30358-001A	DRUM BASE DECK	461			YQ44246-3	SLIT WASHER
403			YQ43893	MINI SCREW,X3	462			YQ43893-7	MINI SCREW
404			LY30343-001A	WORM WHEEL 2	463			LY30370-001E	SWING ARM ASSY
405			LY40237-001C	ENT.GUIDE BASE ASSY	464			LY30380-001D	EXIT GUIDE ARM ASSY
406			YQ43893	MINI SCREW	464A			LY41250-001A	CLEANER ARM ASSY
407			LY30340-001C	MOTOR BRACKET ASSY	465			YQ44246	SLIT WASHER
408			YQ43893	MINI SCREW,X4	466			LY30374-001B	PINCH ROLLER ARM ASSY
409			LY41190-001B	ROTARY ENCODER ASSY	467			YQ44246	SLIT WASHER
410			YQ43893	MINI SCREW,X2	468			LY40280-001B	REEL COVER ASSY
411			YQ31873B-30	GUIDE RAIL ASSY(SUPPLY)	469			YQ43893	MINI SCREW
413			YQ43893	MINI SCREW	470			YDV2089B	DRUM ASSY
414			LY20097-001C	GUIDE RAIL ASSY(TAKE UP)	471			YQ43893	MINI SCREW,X3
416			YQ43893	MINI SCREW,X4	475			YMA0024D	MECHA ASSY(A)
417			QAR0012-002	CAPSTAN MOTOR					
418			LY30002-003A	COMPRESSION SPRING					
419			LY41390-001A	ADJUST NUT					
420			LY30345-001A	MIDDLE CATCHER ASSY					
421			YQ43893	MINI SCREW,X3					
422			LY40223-001A	ARM GEAR 1 ASSY					
423			LY40224-001A	COLLAR					
424			LY40235-002B	CENTERRING ARM ASSY					
425			LY10060-002A	MAIN CAM					
426			YQ44246	SLIT WASHER					
427			LY40279-001A	ARM GEAR 2 ASSY					
428			LY40228-001A	CLUTCH LOCK LEVER ASSY					
429			LY20102-001A	SUB CAM					
430			YQ43893	MINI SCREW					
431			LY30347-001A	CHARGE ARM ASSY					
432			YQ44560-1-2	CONNECT GEAR 2					
433			YQ43893	MINI SCREW,X2					
434			LY40236-001A	TENSION CONTROL ARM ASSY					
435			LY40233-001A	BRAKE CONTROL ARM ASSY					
436			YQ44246	SLIT WASHER					
437			LY40242-001C	BASE PLATE ASSY					
438			YQ43893	MINI SCREW					
439			YQ43931A	REEL DRIVE PULLEY ASSY					
441			YQ44246	SLIT WASHER					
442			LY40239-001B	CENTER GEAR ASSY					
443			LY40241-001A	TIMING BELT					
444			LY40246-001A	CLUTCH LOCK GEAR (1)					
445			LY30002-009A	COMPRESSION SPRING					
446			LY40247-001A	CLUCH LOCK GEAR (2)					
447			YQ43933-2	WASHER					
448			LY40248-001A	PUSH PLATE					
449			YQ44246	SLIT WASHER					
450			LYH30012-001B	SUB DECK ASSY(G)					
450A			LY20108-001B	PRISM					
450B			YQ43893	MINI SCREW					
451			YQ43893	MINI SCREW,X4					
452			LY20109-001B	CONTROL PLATE					
453			LY40257-001A	SUB BRAKE ASSY					
454			YQ44246	SLIT WASHER					
455			LY40259-001A	MAIN BRAKE ASSY(TAKE UP)					
456			LY40260-001B	MAIN BRAKE ASSY(SUPPLY)					
457			LY40255-001A	REEL DISK ASSY,X2					
458			LY41245-001B	TENSION ARM SUB ASSY					
459			LY41243-001A	TORSION SPRING					

5.5 ELECTRICAL PARTS LIST

#	△ REF No.	PART No.	PART NAME, DESCRIPTION

SW REGULATOR BOARD ASSEMBLY <01>			
PW1		LPA10119-01D1	SW.REGULATOR BOARD ASSY
IC5101		STR-F6552	IC
IC5301		L5431	IC
		or MM1431AT	IC
Q5301		2SD1819A/RS/-X	TRANSISTOR
		or 2PC4081/R/-X	TRANSISTOR
		or 2SC4081/RS/-X	TRANSISTOR
Q5302		DTA114EU	TRANSISTOR
		or PDA114EU	TRANSISTOR
		or RN2302	TRANSISTOR
		or UN5111	TRANSISTOR
D5001		RBV-406	BRIDGE DIODE
D5101		SARS01	DIODE
D5102		AU01Z	FR DIODE
		or PG104RS	FR DIODE
		or 1SR153-400-T2	FR DIODE
		or 10ELS2	FR DIODE
		or ERA18-02-T2	FR DIODE
D5103		1SS133	DIODE
		or 1SS270A	DIODE
D5201		AK04	DIODE
		or 1S4	SB DIODE
		or 11EQS04	SB DIODE
D5202		FML-12S	FR DIODE
		or FCF06A20	FR DIODE
		or ER602FCT	FR DIODE
		or SF5LC20U	FR DIODE
		or YG901C2	FR DIODE
D5204		1SR153-400-T2	FR DIODE
		or PG104RS	FR DIODE
		or 10ELS2	FR DIODE
		or ERA18-02-T2	FR DIODE
D5206		FMB-24	BARRIER DIODE
		or FSQ05A04B	SB DIODE
		or SF5SC4	SB DIODE
		or YG801C04	SB DIODE
		or SB640FCT	SB DIODE
D5207		FMB-24	BARRIER DIODE
		or FSQ05A04B	SB DIODE
		or SB640FCT	SB DIODE
		or SF5SC4	SB DIODE
		or YG801C04	SB DIODE
D5208		AK04	DIODE
		or 1S4	SB DIODE
		or 11EQS04	SB DIODE
D5210		AU01Z	FR DIODE
		or ERA18-02-T2	FR DIODE
		or PG104RS	FR DIODE
		or 1SR153-400-T2	FR DIODE
		or 10ELS2	FR DIODE
D5211		AU01Z	FR DIODE
		or ERA18-02-T2	FR DIODE
		or PG104RS	FR DIODE
		or 1SR153-400-T2	FR DIODE
		or 10ELS2	FR DIODE
D5301		MTZJ15A	ZENER DIODE
		or RD15ES/B1/-T2	ZENER DIODE

#	△ REF No.	PART No.	PART NAME, DESCRIPTION
D5303		MTZJ7.5A	ZENER DIODE
		or RD7.5ES/B1/-T2	ZENER DIODE
D5304		1SS133	DIODE
		or 1SS270A	DIODE
D5305		MTZJ27C	ZENER DIODE
		or RD27ES/B3/-T2	ZENER DIODE
D5306		MTZJ2.7B	ZENER DIODE
		or RD2.7ES/B2/-T2	ZENER DIODE
D5307		1SS133	DIODE
		or 1SS270A	DIODE
D5308		1SS133	DIODE
		or 1SS270A	DIODE
D5309		1SS133	DIODE
		or 1SS270A	DIODE
D5310		1SS133	DIODE
		or 1SS270A	DIODE
D5311		1SS133	DIODE
		or 1SS270A	DIODE
D5312		1SS133	DIODE
		or 1SS270A	DIODE
R5101		QRG02GJ-683	OMF RESISTOR 68kΩ,2W
R5102		QRE141J-100Y	RESISTOR 10Ω,1/4W
R5103		NRSA02J-332X	MG RESISTOR 3.3kΩ,1/10W
R5104		QRE141J-681Y	RESISTOR 680Ω,1/4W
R5105		QRT01DJ-R47X	MF RESISTOR 0.47Ω,1W
R5107		QRE141J-684Y	RESISTOR 680kΩ,1/4W
R5108		QRE121J-470Y	RESISTOR 47Ω,1/2W
R5302		NRSA02J-472X	MG RESISTOR 4.7kΩ,1/10W
R5303		NRVA02D-123X	CMF RESISTOR 12kΩ,1/10W
R5304		NRVA02D-302X	CMF RESISTOR 3kΩ,1/10W
R5305		NRSA02J-223X	MG RESISTOR 22kΩ,1/10W
△ R5306		QRZ9005-470X	FUSI RESISTOR 47Ω,1/4W
R5307		NRSA02J-221X	MG RESISTOR 220Ω,1/10W
R5308		NRSA02J-102X	MG RESISTOR 1kΩ,1/10W
R5309		NRSA02J-122X	MG RESISTOR 1.2kΩ,1/10W
R5310		QRL02DJ-821X	OMF RESISTOR 820Ω,2W
R5311		NRSA02J-473X	MG RESISTOR 47kΩ,1/10W
R5313		NRSA02J-561X	MG RESISTOR 560Ω,1/10W
R5314		NRSA02J-103X	MG RESISTOR 10kΩ,1/10W
R5316		NRSA02J-102X	MG RESISTOR 1kΩ,1/10W
R5317		NRSA02J-333X	MG RESISTOR 33kΩ,1/10W
△ C5001		QFZ9073-683	F CAPACITOR 0.068μF,250V
△ C5002		QFZ9051-333	F CAPACITOR 0.033μF,250V
△ C5004		QCZ9071-222	CAPACITOR 0.0022μF,250V
C5007		QEZ0374-826	E CAPACITOR 82μF,400V
C5102		QEMU1VM-276	E CAPACITOR 27μF,35V
C5103		QCZ0302-330Z	CAPACITOR 33pF,1kV
C5104		QFLC1HJ-471Z	F CAPACITOR 470pF,50V
C5105		NCB21HK-223X	CAPACITOR 0.022μF,50V
C5106		QCZ0212-472	CAPACITOR 0.0047μF,1kV
C5201		QEMU0JM-227	E CAPACITOR 220μF,6.3V
C5202		QEMT1CM-827	E CAPACITOR 820μF,16V
C5203		QETN1CM-227	E CAPACITOR 220μF,16V
C5204		QEMT1AM-228	E CAPACITOR 2200μF,10V
C5205		QETN1AM-227	E CAPACITOR 220μF,10V
C5206		QEMU1EM-187	E CAPACITOR 180μF,25V
C5207		QETN2AM-475	E CAPACITOR 4.7μF,100V
C5208		QEMU1HM-186	E CAPACITOR 18μF,50V
C5210		QEMT1AM-687	E CAPACITOR 680μF,10V
C5211		QETN1AM-227	E CAPACITOR 220μF,10V
C5212		QEMT1AM-228	E CAPACITOR 2200μF,10V

#	△ REF No.	PART No.	PART NAME, DESCRIPTION	
		C5213	QETN1AM-227	E CAPACITOR 220μF,10V
		C5301	QFLC1HJ-103Z	F CAPACITOR 0.01μF,50V
		C5302	QFLC1HJ-473Z	F CAPACITOR 0.047μF,50V
		C5303	QFLC1HJ-333Z	F CAPACITOR 0.033μF,50V
		C5304	QETN1EM-476	E CAPACITOR 47μF,25V
		C5305	QFLC1HJ-103Z	F CAPACITOR 0.01μF,50V
		L5201	PELN1184	COIL 33μH
		L5202	PU60944-330K	COIL 33μH
		L5203	PELN1184	COIL 33μH
		L5205	PELN1184	COIL 33μH
		K5101	QQR0678-001Z	FERRITE BEAD
△	PC5101	PC123F2	PH COUPLER	
△	T5001	QQS0092-001	SW TRANSFORMER	
	HS1	LP40515-001B	HEAT SINK,D5206	
	ST2	PU59391	STYLE PIN	
	OT1	QYTDST3008Z	SCREW,D5206	
	FC5001	QNG0006-001Z	FUSE CLIP,F5001	
	FC5002	QNG0006-001Z	FUSE CLIP,F5001	
△	LF5001	PELN1204-01-01	LINE FILTER	
△	LF5002	QQR1031-001	LINE FILTER	
△	CN5001	QGA7901C3-02	CONNECTOR,(1-2)AC IN	
	CN5201	QGF1208C1-19	FPC CONNECTOR,(1-19)REG	
△	CP5301	ICP-N25	CIRCUIT PROTECTOR	
△	F5001	QMF51E2-2R0J1	FUSE T2.0A,AC250V	

REGULATOR BOARD ASSEMBLY <02>

PW2	LPA10119-01D2	REG BOARD ASSY
IC5321	PQ15RW11	IC
Q5321	2SD2528/QP/	TRANSISTOR
Q5322	2SD1819A/RS/-X	TRANSISTOR
	or 2PC4081/R/-X	TRANSISTOR
	or 2SC4081/RS/-X	TRANSISTOR
Q5323	2SA933AS/RS/-T	TRANSISTOR
	or 2SA1267/YG/-T	TRANSISTOR
Q5324	DTC114EU	TRANSISTOR
	or PDC114EU	TRANSISTOR
	or UN5211	TRANSISTOR
	or RN1302	TRANSISTOR
Q5326	2SD2375/QP/	TRANSISTOR
Q5327	2SD1819A/RS/-X	TRANSISTOR
	or 2PC4081/R/-X	TRANSISTOR
	or 2SC4081/RS/-X	TRANSISTOR
Q5328	2SD1302/ST/-T	TRANSISTOR
	or 2SD1450/ST/-T	TRANSISTOR
Q5329	DTA114EU	TRANSISTOR
	or PDA114EU	TRANSISTOR
	or UN5111	TRANSISTOR
	or RN2302	TRANSISTOR
Q5330	2SD2144S/UV/-T	TRANSISTOR
Q5331	2SB1068/KU/-T	TRANSISTOR
Q5332	DTC114EU	TRANSISTOR
	or PDC114EU	TRANSISTOR
	or UN5211	TRANSISTOR

#	△ REF No.	PART No.	PART NAME, DESCRIPTION	
			or RN1302	TRANSISTOR
Q5333		2SD1450/ST/-T	TRANSISTOR	
		or 2SD1302/ST/-T	TRANSISTOR	
Q5334		DTA114EU	TRANSISTOR	
		or RN2302	TRANSISTOR	
		or UN5111	TRANSISTOR	
		or PDA114EU	TRANSISTOR	
Q5335		2SB1256	TRANSISTOR	
Q5336		DTC114TU	TRANSISTOR	
		or UN5215	TRANSISTOR	
Q5337		2SB1239	TRANSISTOR	
Q5339		2SD2144S/UV/-T	TRANSISTOR	
Q5340		DTA114EU	TRANSISTOR	
		or PDA114EU	TRANSISTOR	
		or UN5111	TRANSISTOR	
		or RN2302	TRANSISTOR	
Q5341		DTC114EU	TRANSISTOR	
		or PDC114EU	TRANSISTOR	
		or UN5211	TRANSISTOR	
		or RN1302	TRANSISTOR	
D5322		1SS133	DIODE	
		or 1SS270A	DIODE	
D5323		11ES2	DIODE	
		or ERA15-02-T2	DIODE	
		or 1A3G	DIODE	
D5324		11ES2	DIODE	
		or 1A3G	DIODE	
		or ERA15-02-T2	DIODE	
D5325		RD5.1JS/B2/-T2	ZENER DIODE	
		or MA4051N/M/-T2	ZENER DIODE	
D5326		1SS133	DIODE	
		or 1SS270A	DIODE	
D5327		RD5.1JS/B2/-T2	ZENER DIODE	
		or MA4051N/M/-T2	ZENER DIODE	
D5328		1SS133	DIODE	
		or 1SS270A	DIODE	
D5329		1SS133	DIODE	
		or 1SS270A	DIODE	
D5330		1SS133	DIODE	
		or 1SS270A	DIODE	
D5331		1SS133	DIODE	
		or 1SS270A	DIODE	
D5332		11ES2	DIODE	
		or ERA15-02-T2	DIODE	
		or 1A3G	DIODE	
D5333		1SS133	DIODE	
		or 1SS270A	DIODE	
D5334		11ES2	DIODE	
		or 1A3G	DIODE	
		or ERA15-02-T2	DIODE	
D5336		MTZJ12A	ZENER DIODE	
		or RD12ES/B1/-T2	ZENER DIODE	
R5322		NRSA02J-471X	MG RESISTOR	470Ω,1/10W
R5323		NRSA02J-471X	MG RESISTOR	470Ω,1/10W
R5324		NRSA02J-102X	MG RESISTOR	1kΩ,1/10W
R5325		NRSA02J-103X	MG RESISTOR	10kΩ,1/10W
R5326		NRSA02J-471X	MG RESISTOR	470Ω,1/10W
R5327		NRSA02J-471X	MG RESISTOR	470Ω,1/10W
R5328		NRSA02J-102X	MG RESISTOR	1kΩ,1/10W
R5329		NRSA02J-103X	MG RESISTOR	10kΩ,1/10W
R5330		NRSA02J-471X	MG RESISTOR	470Ω,1/10W

#	△ REF No.	PART No.	PART NAME, DESCRIPTION
R5331		NRSA02J-473X	MG RESISTOR 47kΩ,1/10W
R5332		NRSA02J-103X	MG RESISTOR 10kΩ,1/10W
R5333		NRSA02J-102X	MG RESISTOR 1kΩ,1/10W
R5336		NRVA02D-472X	CMF RESISTOR 4.7kΩ,1/10W
R5337		NRVA02D-102X	CMF RESISTOR 1kΩ,1/10W
R5338		NRSA02J-103X	MG RESISTOR 10kΩ,1/10W
R5339		NRSA02J-102X	MG RESISTOR 1kΩ,1/10W
R5340		QRL01DJ-101X	OMF RESISTOR 100Ω,1W
R5341		NRSA02J-511X	MG RESISTOR 510Ω,1/10W
R5342		NRSA02J-471X	MG RESISTOR 470Ω,1/10W
R5343		NRSA02J-473X	MG RESISTOR 47kΩ,1/10W
R5344		NRSA02J-221X	MG RESISTOR 220Ω,1/10W
R5345		NRSA02J-472X	MG RESISTOR 4.7kΩ,1/10W
R5346		NRSA02J-222X	MG RESISTOR 2.2kΩ,1/10W
R5347		NRSA02J-472X	MG RESISTOR 4.7kΩ,1/10W
R5348		NRSA02J-222X	MG RESISTOR 2.2kΩ,1/10W
R5351		NRSA02J-222X	MG RESISTOR 2.2kΩ,1/10W
R5352		NRSA02J-102X	MG RESISTOR 1kΩ,1/10W
C5321		QETN1AM-107	E CAPACITOR 100μF,10V
C5322		QETN1HM-106	E CAPACITOR 10μF,50V
C5323		QETN1CM-107	E CAPACITOR 100μF,16V
C5324		QFLC1HJ-102Z	F CAPACITOR 0.001μF,50V
C5325		QFLC1HJ-102Z	F CAPACITOR 0.001μF,50V
C5326		QETN1AM-107	E CAPACITOR 100μF,10V
C5329		NCB21HK-103X	CAPACITOR 0.01μF,50V
C5330		QETN1AM-107	E CAPACITOR 100μF,10V
C5331		QETN1AM-107	E CAPACITOR 100μF,10V
C5332		QETN1CM-226	E CAPACITOR 22μF,16V
C5333		QETN1AM-107	E CAPACITOR 100μF,10V
C5334		QETN1CM-227	E CAPACITOR 220μF,16V
C5335		QETN1CM-107	E CAPACITOR 100μF,16V
HS1		LP40090-001A	HEAT SINK,Q5321
OT1		QYTDST3006Z	SCREW,Q5321
CN5301		QGF1208C1-19	FPC CONNECTOR,(1-19)SW/REG
CN5321		QGF1208F1-15	FPC CONNECTOR,(1-15)MAIN
CN5322		QGF1208F1-13	FPC CONNECTOR,(1-13)MAIN
CN5323		QGA2001C1-10	CONNECTOR,(1-10)DV MAIN
CN5324		QGA2001C1-05	CONNECTOR,(1-5)DV PRE/REC
CN5325		QGA2001F1-02	CONNECTOR,(1-2)FAN MOTOR
△ CP5321		ICP-N25	CIRCUIT PROTECTOR
△ CP5322		ICP-N25	CIRCUIT PROTECTOR
△ CP5323		ICP-N25	CIRCUIT PROTECTOR

#	△ REF No.	PART No.	PART NAME, DESCRIPTION
IC2601		BU4052BCF	IC
IC2602		BA15218F-XE	IC
IC2603		BU4052BCF	IC
IC2605		BA15218F-XE	IC
IC2606		BU4052BCF	IC
IC2607		BU4052BCF	IC
IC2608		BA15218F-XE	IC
IC2609		LA7151	IC
IC2610		BU4053BCF	IC
IC3001		HD6432194BA21F	IC(MCU)
IC3002		S-80727AN-DQ-X	IC
		or S-80827ANUP-W	IC
IC3003		AT24C16-10PC	IC(EEPROM)
		or 24LC16B/P	IC(EEPROM)
IC3004		BA6956AN	IC
IC3301		UPD780053GC042	IC(MCU)
IC3302		TC74HC4053AF	IC
Q1		2SC4081/S/-X	TRANSISTOR
Q2		2SC4081/S/-X	TRANSISTOR
Q3		2SC4081/S/-X	TRANSISTOR
Q4		2SC4081/S/-X	TRANSISTOR
Q5		2SB1218A/QR/-X	TRANSISTOR
		or 2PA1576/R/-X	TRANSISTOR
		or 2SA1576A/QR/-X	TRANSISTOR
Q7		2SD1819A/QRS/-X	TRANSISTOR
		or 2SC4081/QRS/-X	TRANSISTOR
		or 2PC4081/R/-X	TRANSISTOR
Q8		2SD1819A/QRS/-X	TRANSISTOR
		or 2PC4081/R/-X	TRANSISTOR
		or 2SC4081/QRS/-X	TRANSISTOR
Q9		2SB1218A/QR/-X	TRANSISTOR
		or 2SA1576A/QR/-X	TRANSISTOR
		or 2PA1576/R/-X	TRANSISTOR
Q10		2SB1218A/QR/-X	TRANSISTOR
		or 2PA1576/R/-X	TRANSISTOR
		or 2SA1576A/QR/-X	TRANSISTOR
Q17		DTC144WU	TRANSISTOR
		or PDTC144WU	TRANSISTOR
		or RN1309	TRANSISTOR
		or UN521E	TRANSISTOR
Q18		2SB1218A/QR/-X	TRANSISTOR
		or 2SA1576A/QR/-X	TRANSISTOR
		or 2PA1576/R/-X	TRANSISTOR
Q21		2SB1218A/QR/-X	TRANSISTOR
		or 2PA1576/R/-X	TRANSISTOR
		or 2SA1576A/QR/-X	TRANSISTOR
Q24		2SA1576A/QR/-X	TRANSISTOR
		or 2SB1218A/QR/-X	TRANSISTOR
		or 2PA1576/R/-X	TRANSISTOR
Q25		DTC144WU	TRANSISTOR
		or PDTC144WU	TRANSISTOR
		or RN1309	TRANSISTOR
		or UN521E	TRANSISTOR
Q38		2SD1819A/QRS/-X	TRANSISTOR
		or 2SC4081/QRS/-X	TRANSISTOR
		or 2PC4081/R/-X	TRANSISTOR
Q41		DTC144WU	TRANSISTOR
		or PDTC144WU	TRANSISTOR
		or RN1309	TRANSISTOR
		or UN521E	TRANSISTOR
Q401		2SA1576A/QR/-X	TRANSISTOR

MAIN BOARD ASSEMBLY <03>

PW1	LPA10113-01D	MAIN BOARD ASSY
IC1	JCP8020-MSD-2	IC
IC702	MM1113XF	IC
IC703	MM1228XF	IC
IC705	MM1117XF	IC
IC706	PQ05TZ1U	IC
IC707	AN3916	IC
IC712	MM1111XF	IC

#	△	REF No.	PART No.	PART NAME, DESCRIPTION	#	△	REF No.	PART No.	PART NAME, DESCRIPTION
			Q402	2SA1576A/QR/-X				or 2PC4081/R/-X	TRANSISTOR
			Q403	DTC144WU				or 2SD1819A/QRS/-X	TRANSISTOR
				or PDTC144WU			Q2003	DTA144WU	TRANSISTOR
				or RN1309				or PDTA144WU	TRANSISTOR
				or UN521E				or UN511E	TRANSISTOR
			Q404	DTC144WU				or RN2309	TRANSISTOR
				or PDTC144WU			Q2004	DTC144WU	TRANSISTOR
				or RN1309				or PDTC144WU	TRANSISTOR
				or UN521E				or RN1309	TRANSISTOR
			Q405	2SA1576A/QR/-X				or UN521E	TRANSISTOR
			Q703	2SC4081/QRS/-X			Q2011	DTC144WU	TRANSISTOR
				or 2SD1819A/QRS/-X				or RN1309	TRANSISTOR
				or 2PC4081/R/-X				or UN521E	TRANSISTOR
			Q704	2SC4081/QRS/-X				or PDTC144WU	TRANSISTOR
				or 2PC4081/R/-X			Q2051	2SC4081/QRS/-X	TRANSISTOR
				or 2SD1819A/QRS/-X				or 2SD1819A/QRS/-X	TRANSISTOR
			Q705	2SA1576A/QR/-X				or 2PC4081/R/-X	TRANSISTOR
				or 2PA1576/R/-X			Q2052	2SA1576A/QR/-X	TRANSISTOR
				or 2SB1218A/QR/-X				or 2PA1576/R/-X	TRANSISTOR
			Q706	2SC4081/QRS/-X				or 2SB1218A/QR/-X	TRANSISTOR
				or 2SD1819A/QRS/-X			Q2053	DTC144WU	TRANSISTOR
				or 2PC4081/R/-X				or PDTC144WU	TRANSISTOR
			Q707	2SC4081/QRS/-X				or RN1309	TRANSISTOR
				or 2PC4081/R/-X				or UN521E	TRANSISTOR
				or 2SD1819A/QRS/-X			Q2054	2SA1576A/QR/-X	TRANSISTOR
			Q708	2SA1576A/QR/-X				or 2SB1218A/QR/-X	TRANSISTOR
				or 2SB1218A/QR/-X				or 2PA1576/R/-X	TRANSISTOR
				or 2PA1576/R/-X			Q2061	2SC4081/QRS/-X	TRANSISTOR
			Q709	2SA1576A/QR/-X				or 2PC4081/R/-X	TRANSISTOR
				or 2PA1576/R/-X				or 2SD1819A/QRS/-X	TRANSISTOR
				or 2SB1218A/QR/-X			Q2062	2SA1576A/QR/-X	TRANSISTOR
			Q710	2SA1576A/QR/-X				or 2SB1218A/QR/-X	TRANSISTOR
				or 2SB1218A/QR/-X				or 2PA1576/R/-X	TRANSISTOR
				or 2PA1576/R/-X			Q2251	DTA144WU	TRANSISTOR
			Q711	2SA1576A/QR/-X				or PDTA144WU	TRANSISTOR
				or 2PA1576/R/-X				or RN2309	TRANSISTOR
				or 2SB1218A/QR/-X				or UN511E	TRANSISTOR
			Q712	2SC4081/QRS/-X			Q2252	DTC114EU	TRANSISTOR
				or 2SD1819A/QRS/-X				or PDTC114EU	TRANSISTOR
				or 2PC4081/R/-X				or RN1302	TRANSISTOR
			Q713	2SC4081/QRS/-X				or UN5211	TRANSISTOR
				or 2SB1218A/QR/-X			Q2601	2SC4081/QRS/-X	TRANSISTOR
				or 2PC4081/R/-X				or 2PC4081/R/-X	TRANSISTOR
			Q714	2SA1576A/QR/-X				or 2SD1819A/QRS/-X	TRANSISTOR
				or 2SB1218A/QR/-X			Q2602	2SC4081/QRS/-X	TRANSISTOR
				or 2PA1576/R/-X				or 2SD1819A/QRS/-X	TRANSISTOR
			Q725	2SA1576A/QR/-X				or 2PC4081/R/-X	TRANSISTOR
				or 2PA1576/R/-X			Q3001	2SD1819A/QRS/-X	TRANSISTOR
				or 2SB1218A/QR/-X				or 2PC4081/R/-X	TRANSISTOR
			Q729	DTC144WU				or 2SC4081/QRS/-X	TRANSISTOR
				or PDTC144WU			Q3002	PTZ-NV16	PHOTO TRANSISTOR
				or RN1309				or PTZ-NV16A	PHOTO TRANSISTOR
				or UN521E			Q3003	PTZ-NV16	PHOTO TRANSISTOR
			Q730	DTA144WU				or PTZ-NV16A	PHOTO TRANSISTOR
				or PDTA144WU			Q3004	2SD1819A/QRS/-X	TRANSISTOR
				or RN2309				or 2SC4081/QRS/-X	TRANSISTOR
				or UN511E				or 2PC4081/R/-X	TRANSISTOR
			Q2001	2SC4081/QRS/-X			Q3005	2SD1819A/QRS/-X	TRANSISTOR
				or 2SD1819A/QRS/-X				or 2PC4081/R/-X	TRANSISTOR
				or 2PC4081/R/-X				or 2SC4081/QRS/-X	TRANSISTOR
			Q2002	2SC4081/QRS/-X			Q3007	UN521E	TRANSISTOR

#	△ REF No.	PART No.	PART NAME, DESCRIPTION	#	△ REF No.	PART No.	PART NAME, DESCRIPTION
		or DTC144WU	TRANSISTOR	D3301	1SS355	DIODE	
		or PDTC144WU	TRANSISTOR	D4001	1SS355	DIODE	
		or RN1309	TRANSISTOR	D4002	1SS355	DIODE	
Q3302		DTC144WU	TRANSISTOR	D6002	HZ30-2L-T2	ZENER DIODE	
		or RN1309	TRANSISTOR		or HZ30-2LTD	Z DIODE (M)	
		or UN521E	TRANSISTOR	R1	NRVA02D-682X	CMF RESISTOR	6.8kΩ,1/10W
Q3303		DTC144WU	TRANSISTOR	R2	NRVA02D-152X	CMF RESISTOR	1.5kΩ,1/10W
		or RN1309	TRANSISTOR	R5	NRSA02J-0R0X	MG RESISTOR	0Ω,1/10W
		or UN521E	TRANSISTOR	R6	NRSA02J-273X	MG RESISTOR	27kΩ,1/10W
Q3304		DTC144WU	TRANSISTOR	R7	NRSA02J-681X	MG RESISTOR	680Ω,1/10W
		or RN1309	TRANSISTOR	R8	NRSA02J-0R0X	MG RESISTOR	0Ω,1/10W
		or UN521E	TRANSISTOR	R9	NRSA02J-0R0X	MG RESISTOR	0Ω,1/10W
Q3305		DTC144WU	TRANSISTOR	R21	NRSA02J-222X	MG RESISTOR	2.2kΩ,1/10W
		or RN1309	TRANSISTOR	R22	NRSA02J-222X	MG RESISTOR	2.2kΩ,1/10W
		or UN521E	TRANSISTOR	R23	NRSA02J-182X	MG RESISTOR	1.8kΩ,1/10W
Q3306		DTC144WU	TRANSISTOR	R24	NRSA02J-331X	MG RESISTOR	330Ω,1/10W
		or RN1309	TRANSISTOR	R25	NRSA02J-103X	MG RESISTOR	10kΩ,1/10W
		or UN521E	TRANSISTOR	R26	NRSA02J-682X	MG RESISTOR	6.8kΩ,1/10W
Q3307		DTC144WU	TRANSISTOR	R27	NRSA02J-221X	MG RESISTOR	220Ω,1/10W
		or UN521E	TRANSISTOR	R28	NRSA02J-221X	MG RESISTOR	220Ω,1/10W
		or RN1309	TRANSISTOR	R29	NRSA02J-681X	MG RESISTOR	680Ω,1/10W
Q3308		DTC144WU	TRANSISTOR	R30	NRSA02J-0R0X	MG RESISTOR	0Ω,1/10W
		or RN1309	TRANSISTOR	R31	NRSA02J-152X	MG RESISTOR	1.5kΩ,1/10W
		or UN521E	TRANSISTOR	R32	NRSA02J-471X	MG RESISTOR	470Ω,1/10W
Q4001		UN5211	TRANSISTOR	R33	NDC21HJ-8R0X	CAPACITOR	8pF,50V
		or RN1302	TRANSISTOR	R34	NDC21HJ-390X	CAPACITOR	39pF,50V
		or DTC114EU	TRANSISTOR	R36	NRSA02J-182X	MG RESISTOR	1.8kΩ,1/10W
Q4002		UN5211	TRANSISTOR	R38	NRSA02J-102X	MG RESISTOR	1kΩ,1/10W
		or DTC114EU	TRANSISTOR	R40	NRSA02J-222X	MG RESISTOR	2.2kΩ,1/10W
		or RN1302	TRANSISTOR	R41	NRSA02J-392X	MG RESISTOR	3.9kΩ,1/10W
Q4003		UN5211	TRANSISTOR	R42	NRSA02J-681X	MG RESISTOR	680Ω,1/10W
		or RN1302	TRANSISTOR	R46	NRSA02J-271X	MG RESISTOR	270Ω,1/10W
		or DTC114EU	TRANSISTOR	R48	NRSA02J-102X	MG RESISTOR	1kΩ,1/10W
Q6030		2SB1218A/QR/-X	TRANSISTOR	R51	NRSA02J-122X	MG RESISTOR	1.2kΩ,1/10W
		or 2PA1576/R/-X	TRANSISTOR	R54	NRSA02J-152X	MG RESISTOR	1.5kΩ,1/10W
		or 2SA1576A/QR/-X	TRANSISTOR	R62	NRSA02J-101X	MG RESISTOR	100Ω,1/10W
Q6031		DTC144EU	TRANSISTOR	R68	NRSA02J-222X	MG RESISTOR	2.2kΩ,1/10W
Q6032		DTC144EU	TRANSISTOR	R70	NRSA02J-0R0X	MG RESISTOR	0Ω,1/10W
Q7501		2SC1317/RS/-T	TRANSISTOR	R77	NRSA02J-103X	MG RESISTOR	10kΩ,1/10W
Q7502		DTC144WU	TRANSISTOR	R88	NRSA02J-0R0X	MG RESISTOR	0Ω,1/10W
		or PDTC144WU	TRANSISTOR	R90	NRSA02J-391X	MG RESISTOR	390Ω,1/10W
		or UN521E	TRANSISTOR	R92	NRSA02J-152X	MG RESISTOR	1.5kΩ,1/10W
		or RN1309	TRANSISTOR	R93	NRSA02J-222X	MG RESISTOR	2.2kΩ,1/10W
D3		NRSA02J-0R0X	MG RESISTOR	R104	NRSA02J-682X	MG RESISTOR	6.8kΩ,1/10W
D6		MTZJ5.1C	ZENER DIODE	R113	NRSA02J-101X	MG RESISTOR	100Ω,1/10W
D706		1SS355	DIODE	R114	NRSA02J-104X	MG RESISTOR	100kΩ,1/10W
D2001		1SS355	DIODE	R401	NRSA02J-221X	MG RESISTOR	220Ω,1/10W
D2121		MTZJ8.2C	ZENER DIODE	R402	NRSA02J-681X	MG RESISTOR	680Ω,1/10W
D2201		11ES2	DIODE	R403	NRSA02J-561X	MG RESISTOR	560Ω,1/10W
D3001		LNB2301L01V1	LE DIODE	R404	NRSA02J-473X	MG RESISTOR	47kΩ,1/10W
D3002		1SS133	DIODE	R405	NRSA02J-683X	MG RESISTOR	68kΩ,1/10W
D3003		RD33ES/B2/-T2	ZENER DIODE	R406	NRSA02J-393X	MG RESISTOR	39kΩ,1/10W
		or MTZJ33C	ZENER DIODE	R407	NRSA02J-472X	MG RESISTOR	4.7kΩ,1/10W
D3004		11ES2	DIODE	R408	NRSA02J-473X	MG RESISTOR	47kΩ,1/10W
		or 1A3G	DIODE	R409	NRSA02J-103X	MG RESISTOR	10kΩ,1/10W
D3005		11ES2	DIODE	R704	NRSA02J-333X	MG RESISTOR	33kΩ,1/10W
		or 1A3G	DIODE	R705	NRSA02J-223X	MG RESISTOR	22kΩ,1/10W
D3007		NRSA02J-0R0X	MG RESISTOR	R706	NRVA02D-271X	CMF RESISTOR	270Ω,1/10W
D3008		1SS355	DIODE	R707	NRVA02D-561X	CMF RESISTOR	560Ω,1/10W
D3011		1SS133	DIODE	R709	NRSA02J-0R0X	MG RESISTOR	0Ω,1/10W
D3012		1SS133	DIODE	R710	NRSA02J-561X	MG RESISTOR	560Ω,1/10W

#	△	REF No.	PART No.	PART NAME, DESCRIPTION	#	△	REF No.	PART No.	PART NAME, DESCRIPTION	
R711			NRSA02J-0R0X	MG RESISTOR	0Ω,1/10W	R2064		NRSA02J-473X	MG RESISTOR	47kΩ,1/10W
R712			NRSA02J-682X	MG RESISTOR	6.8kΩ,1/10W	R2065		NRSA02J-183X	MG RESISTOR	18kΩ,1/10W
R713			NRSA02J-392X	MG RESISTOR	3.9kΩ,1/10W	R2121		QRE141J-151Y	RESISTOR	150Ω,1/4W
R714			NRSA02J-681X	MG RESISTOR	680Ω,1/10W	R2206		NRSA02J-101X	MG RESISTOR	100Ω,1/10W
R716			NRVA02D-152X	CMF RESISTOR	1.5kΩ,1/10W	R2207		NRSA02J-332X	MG RESISTOR	3.3kΩ,1/10W
R717			NRSA02J-0R0X	MG RESISTOR	0Ω,1/10W	R2208		NRSA02J-101X	MG RESISTOR	100Ω,1/10W
R718			NRVA02D-271X	CMF RESISTOR	270Ω,1/10W	R2209		NRSA02J-101X	MG RESISTOR	100Ω,1/10W
R719			NRVA02D-471X	CMF RESISTOR	470Ω,1/10W	R2210		NRSA02J-103X	MG RESISTOR	10kΩ,1/10W
R720			NRSA02J-222X	MG RESISTOR	2.2kΩ,1/10W	R2211		NRSA02J-103X	MG RESISTOR	10kΩ,1/10W
R721			NRSA02J-222X	MG RESISTOR	2.2kΩ,1/10W	R2213		NRSA02J-393X	MG RESISTOR	39kΩ,1/10W
R722			NRVA02D-471X	CMF RESISTOR	470Ω,1/10W	R2215		NRSA02J-153X	MG RESISTOR	15kΩ,1/10W
R723			NRVA02D-471X	CMF RESISTOR	470Ω,1/10W	R2217		NRSA02J-0R0X	MG RESISTOR	0Ω,1/10W
R724			NRSA02J-102X	MG RESISTOR	1kΩ,1/10W	R2218		NRSA02J-393X	MG RESISTOR	39kΩ,1/10W
R725			NRSA02J-105X	MG RESISTOR	1MΩ,1/10W	R2219		NRSA02J-393X	MG RESISTOR	39kΩ,1/10W
R726			NRSA02J-394X	MG RESISTOR	390kΩ,1/10W	R2220		NRSA02J-393X	MG RESISTOR	39kΩ,1/10W
R727			NRSA02J-105X	MG RESISTOR	1MΩ,1/10W	R2222		NRSA02J-123X	MG RESISTOR	12kΩ,1/10W
R728			NRVA02D-271X	CMF RESISTOR	270Ω,1/10W	R2223		NRSA02J-123X	MG RESISTOR	12kΩ,1/10W
R729			NRVA02D-271X	CMF RESISTOR	270Ω,1/10W	R2224		NRSA02J-123X	MG RESISTOR	12kΩ,1/10W
R730			NRSA02J-332X	MG RESISTOR	3.3kΩ,1/10W	R2225		NRSA02J-153X	MG RESISTOR	15kΩ,1/10W
R767			NRSA02J-0R0X	MG RESISTOR	0Ω,1/10W	R2226		NRSA02J-123X	MG RESISTOR	12kΩ,1/10W
R768			NRSA02J-0R0X	MG RESISTOR	0Ω,1/10W	R2227		NRSA02J-123X	MG RESISTOR	12kΩ,1/10W
R769			NRSA02J-122X	MG RESISTOR	1.2kΩ,1/10W	R2228		NRSA02J-103X	MG RESISTOR	10kΩ,1/10W
R770			NRSA02J-471X	MG RESISTOR	470Ω,1/10W	R2229		NRSA02J-563X	MG RESISTOR	56kΩ,1/10W
R771			NRSA02J-471X	MG RESISTOR	470Ω,1/10W	R2251		NRSA02J-102X	MG RESISTOR	1kΩ,1/10W
R772			NRSA02J-102X	MG RESISTOR	1kΩ,1/10W	R2252		NRSA02J-472X	MG RESISTOR	4.7kΩ,1/10W
R773			NRSA02J-223X	MG RESISTOR	22kΩ,1/10W	R2601		NRSA02J-102X	MG RESISTOR	1kΩ,1/10W
R774			NRSA02J-274X	MG RESISTOR	270kΩ,1/10W	R2602		NRSA02J-102X	MG RESISTOR	1kΩ,1/10W
R775			NRSA02J-183X	MG RESISTOR	18kΩ,1/10W	R2603		NRSA02J-102X	MG RESISTOR	1kΩ,1/10W
R777			NRSA02J-0R0X	MG RESISTOR	0Ω,1/10W	R2604		NRSA02J-102X	MG RESISTOR	1kΩ,1/10W
R785			NRSA02J-471X	MG RESISTOR	470Ω,1/10W	R2605		NRSA02J-103X	MG RESISTOR	10kΩ,1/10W
VR701			QVP0039-333Z	TRIM RESISTOR,DV AGC		R2606		NRSA02J-102X	MG RESISTOR	1kΩ,1/10W
R2003			NRSA02J-101X	MG RESISTOR	100Ω,1/10W	R2607		NRSA02J-102X	MG RESISTOR	1kΩ,1/10W
R2004			NRSA02J-332X	MG RESISTOR	3.3kΩ,1/10W	R2608		NRSA02J-102X	MG RESISTOR	1kΩ,1/10W
R2005			NRSA02J-0R0X	MG RESISTOR	0Ω,1/10W	R2609		NRSA02J-102X	MG RESISTOR	1kΩ,1/10W
R2006			NRSA02J-393X	MG RESISTOR	39kΩ,1/10W	R2610		NRSA02J-102X	MG RESISTOR	1kΩ,1/10W
R2007			NRSA02J-393X	MG RESISTOR	39kΩ,1/10W	R2611		NRSA02J-102X	MG RESISTOR	1kΩ,1/10W
R2008			NRSA02J-123X	MG RESISTOR	12kΩ,1/10W	R2613		NRSA02J-102X	MG RESISTOR	1kΩ,1/10W
R2009			NRSA02J-123X	MG RESISTOR	12kΩ,1/10W	R2614		NRSA02J-103X	MG RESISTOR	10kΩ,1/10W
R2010			NRSA02J-123X	MG RESISTOR	12kΩ,1/10W	R2616		NRSA02J-102X	MG RESISTOR	1kΩ,1/10W
R2011			NRSA02J-103X	MG RESISTOR	10kΩ,1/10W	R2617		NRSA02J-102X	MG RESISTOR	1kΩ,1/10W
R2012			NRSA02J-153X	MG RESISTOR	15kΩ,1/10W	R2618		NRSA02J-102X	MG RESISTOR	1kΩ,1/10W
R2013			NRSA02J-682X	MG RESISTOR	6.8kΩ,1/10W	R2623		NRSA02J-223X	MG RESISTOR	22kΩ,1/10W
R2014			NRSA02J-224X	MG RESISTOR	220kΩ,1/10W	R2624		NRSA02J-562X	MG RESISTOR	5.6kΩ,1/10W
R2015			NRSA02J-181X	MG RESISTOR	180Ω,1/10W	R2625		NRSA02J-562X	MG RESISTOR	5.6kΩ,1/10W
R2016			NRSA02J-393X	MG RESISTOR	39kΩ,1/10W	R2626		NRSA02J-223X	MG RESISTOR	22kΩ,1/10W
R2017			NRSA02J-103X	MG RESISTOR	10kΩ,1/10W	R2627		NRSA02J-102X	MG RESISTOR	1kΩ,1/10W
R2018			NRSA02J-472X	MG RESISTOR	4.7kΩ,1/10W	R2628		NRSA02J-102X	MG RESISTOR	1kΩ,1/10W
R2019			NRSA02J-472X	MG RESISTOR	4.7kΩ,1/10W	R2629		NRSA02J-102X	MG RESISTOR	1kΩ,1/10W
R2020			NRSA02J-102X	MG RESISTOR	1kΩ,1/10W	R2630		NRSA02J-102X	MG RESISTOR	1kΩ,1/10W
R2024			QRE141J-472	RESISTOR	4.7kΩ,1/4W	R2631		NRSA02J-103X	MG RESISTOR	10kΩ,1/10W
R2053			NRSA02J-332X	MG RESISTOR	3.3kΩ,1/10W	R2632		NRSA02J-102X	MG RESISTOR	1kΩ,1/10W
R2054			NRSA02J-153X	MG RESISTOR	15kΩ,1/10W	R2633		NRSA02J-102X	MG RESISTOR	1kΩ,1/10W
R2055			NRSA02J-3R3X	MG RESISTOR	3.3Ω,1/10W	R2634		NRSA02J-102X	MG RESISTOR	1kΩ,1/10W
R2056			NRSA02J-101X	MG RESISTOR	100Ω,1/10W	R2635		NRSA02J-102X	MG RESISTOR	1kΩ,1/10W
R2057			NRSA02J-473X	MG RESISTOR	47kΩ,1/10W	R2636		NRSA02J-103X	MG RESISTOR	10kΩ,1/10W
R2058			NRSA02J-183X	MG RESISTOR	18kΩ,1/10W	R2637		NRSA02J-105X	MG RESISTOR	1MΩ,1/10W
R2059			NRSA02J-473X	MG RESISTOR	47kΩ,1/10W	R2638		NRSA02J-105X	MG RESISTOR	1MΩ,1/10W
R2060			NRSA02J-183X	MG RESISTOR	18kΩ,1/10W	R2651		NRSA02J-102X	MG RESISTOR	1kΩ,1/10W
R2061			NRSA02J-273X	MG RESISTOR	27kΩ,1/10W	R2652		NRSA02J-102X	MG RESISTOR	1kΩ,1/10W
R2062			NRSA02J-3R3X	MG RESISTOR	3.3Ω,1/10W	R2653		NRSA02J-102X	MG RESISTOR	1kΩ,1/10W
R2063			NRSA02J-151X	MG RESISTOR	150Ω,1/10W	R2654		NRSA02J-102X	MG RESISTOR	1kΩ,1/10W

#	△ REF No.	PART No.	PART NAME, DESCRIPTION	#	△ REF No.	PART No.	PART NAME, DESCRIPTION
R2655		NRSA02J-103X	MG RESISTOR 10kΩ,1/10W	R3061		NRSA02J-471X	MG RESISTOR 470Ω,1/10W
R2656		NRSA02J-102X	MG RESISTOR 1kΩ,1/10W	R3062		NRSA02J-103X	MG RESISTOR 10kΩ,1/10W
R2657		NRSA02J-102X	MG RESISTOR 1kΩ,1/10W	R3063		NRSA02J-472X	MG RESISTOR 4.7kΩ,1/10W
R2658		NRSA02J-102X	MG RESISTOR 1kΩ,1/10W	R3066		NRSA02J-472X	MG RESISTOR 4.7kΩ,1/10W
R2659		NRSA02J-102X	MG RESISTOR 1kΩ,1/10W	R3069		NRSA02J-101X	MG RESISTOR 100Ω,1/10W
R2660		NRSA02J-221X	MG RESISTOR 220Ω,1/10W	R3071		NRSA02J-103X	MG RESISTOR 10kΩ,1/10W
R2661		NRSA02J-103X	MG RESISTOR 10kΩ,1/10W	R3072		NRSA02J-0R0X	MG RESISTOR 0Ω,1/10W
R2662		NRSA02J-221X	MG RESISTOR 220Ω,1/10W	R3073		NRSA02J-0R0X	MG RESISTOR 0Ω,1/10W
R2663		NRSA02J-103X	MG RESISTOR 10kΩ,1/10W	R3075		NRSA02J-471X	MG RESISTOR 470Ω,1/10W
R2664		NRSA02J-221X	MG RESISTOR 220Ω,1/10W	R3076		NRSA02J-471X	MG RESISTOR 470Ω,1/10W
R2665		NRSA02J-103X	MG RESISTOR 10kΩ,1/10W	R3077		NRSA02J-102X	MG RESISTOR 1kΩ,1/10W
R2666		NRSA02J-221X	MG RESISTOR 220Ω,1/10W	R3078		NRSA02J-103X	MG RESISTOR 10kΩ,1/10W
R2667		NRSA02J-103X	MG RESISTOR 10kΩ,1/10W	R3079		NRSA02J-102X	MG RESISTOR 1kΩ,1/10W
R2681		NRSA02J-221X	MG RESISTOR 220Ω,1/10W	R3083		NRSA02J-0R0X	MG RESISTOR 0Ω,1/10W
R2682		NRSA02J-103X	MG RESISTOR 10kΩ,1/10W	R3085		NRSA02J-0R0X	MG RESISTOR 0Ω,1/10W
R2683		NRSA02J-222X	MG RESISTOR 2.2kΩ,1/10W	R3086		NRSA02J-0R0X	MG RESISTOR 0Ω,1/10W
R2684		NRSA02J-103X	MG RESISTOR 10kΩ,1/10W	R3087		NRSA02J-0R0X	MG RESISTOR 0Ω,1/10W
R2685		NRSA02J-222X	MG RESISTOR 2.2kΩ,1/10W	R3088		NRSA02J-0R0X	MG RESISTOR 0Ω,1/10W
R2686		NRSA02J-103X	MG RESISTOR 10kΩ,1/10W	R3089		NRSA02J-0R0X	MG RESISTOR 0Ω,1/10W
R2687		NRSA02J-221X	MG RESISTOR 220Ω,1/10W	R3091		NRSA02J-102X	MG RESISTOR 1kΩ,1/10W
R2688		NRSA02J-221X	MG RESISTOR 220Ω,1/10W	R3094		NRSA02J-472X	MG RESISTOR 4.7Ω,1/10W
R2689		NRSA02J-0R0X	MG RESISTOR 0Ω,1/10W	R3095		NRSA02J-472X	MG RESISTOR 4.7Ω,1/10W
R2691		NRSA02J-221X	MG RESISTOR 220Ω,1/10W	R3096		NRSA02J-0R0X	MG RESISTOR 0Ω,1/10W
R2692		NRSA02J-221X	MG RESISTOR 220Ω,1/10W	R3097		NRSA02J-472X	MG RESISTOR 4.7Ω,1/10W
R3011		NRSA02J-0R0X	MG RESISTOR 0Ω,1/10W	R3103		NRSA02J-102X	MG RESISTOR 1kΩ,1/10W
R3012		NRSA02J-0R0X	MG RESISTOR 0Ω,1/10W	R3104		NRSA02J-472X	MG RESISTOR 4.7kΩ,1/10W
R3013		NRSA02J-0R0X	MG RESISTOR 0Ω,1/10W	R3105		NRSA02J-0R0X	MG RESISTOR 0Ω,1/10W
R3016		NRSA02J-0R0X	MG RESISTOR 0Ω,1/10W	R3106		NRSA02J-102X	MG RESISTOR 1kΩ,1/10W
R3017		NRSA02J-472X	MG RESISTOR 4.7kΩ,1/10W	R3201		NRSA02J-103X	MG RESISTOR 10kΩ,1/10W
R3018		NRSA02J-472X	MG RESISTOR 4.7kΩ,1/10W	R3202		NRSA02J-472X	MG RESISTOR 4.7kΩ,1/10W
R3019		NRSA02J-682X	MG RESISTOR 6.8kΩ,1/10W	R3203		NRSA02J-103X	MG RESISTOR 10kΩ,1/10W
R3021		NRSA02J-472X	MG RESISTOR 4.7kΩ,1/10W	R3204		NRSA02J-222X	MG RESISTOR 2.2kΩ,1/10W
R3022		NRSA02J-0R0X	MG RESISTOR 0Ω,1/10W	R3205		QRE141J-181Y	RESISTOR 180Ω,1/4W
R3025		NRSA02J-0R0X	MG RESISTOR 0Ω,1/10W	R3206		NRSA02J-183X	MG RESISTOR 18kΩ,1/10W
R3026		NRSA02J-0R0X	MG RESISTOR 0Ω,1/10W	R3207		NRSA02J-183X	MG RESISTOR 18kΩ,1/10W
R3027		NRSA02J-0R0X	MG RESISTOR 0Ω,1/10W	R3208		NRSA02J-181X	MG RESISTOR 180Ω,1/10W
R3029		NRSA02J-472X	MG RESISTOR 4.7kΩ,1/10W	R3209		NRSA02J-273X	MG RESISTOR 27kΩ,1/10W
R3030		NRSA02J-472X	MG RESISTOR 4.7kΩ,1/10W	R3210		NRSA02J-181X	MG RESISTOR 180Ω,1/10W
R3031		NRSA02J-0R0X	MG RESISTOR 0Ω,1/10W	R3211		NRSA02J-273X	MG RESISTOR 27kΩ,1/10W
R3033		NRSA02J-0R0X	MG RESISTOR 0Ω,1/10W	R3212		NRSA02J-474X	MG RESISTOR 470kΩ,1/10W
R3034		NRSA02J-0R0X	MG RESISTOR 0Ω,1/10W	R3213		NRSA02J-334X	MG RESISTOR 330kΩ,1/10W
R3038		NRSA02J-152X	MG RESISTOR 1.5kΩ,1/10W	R3214		NRSA02J-103X	MG RESISTOR 10kΩ,1/10W
R3040		NRSA02J-0R0X	MG RESISTOR 0Ω,1/10W	R3215		NRSA02J-103X	MG RESISTOR 10kΩ,1/10W
R3041		NRSA02J-0R0X	MG RESISTOR 0Ω,1/10W	R3216		NRSA02J-103X	MG RESISTOR 10kΩ,1/10W
R3042		NRSA02J-0R0X	MG RESISTOR 0Ω,1/10W	R3217		NRSA02J-562X	MG RESISTOR 5.6kΩ,1/10W
R3044		NRSA02J-0R0X	MG RESISTOR 0Ω,1/10W	R3218		QRE141J-472Y	RESISTOR 4.7kΩ,1/4W
R3046		NRSA02J-102X	MG RESISTOR 1kΩ,1/10W	R3219		NRSA02J-472X	MG RESISTOR 4.7kΩ,1/10W
R3047		NRSA02J-102X	MG RESISTOR 1kΩ,1/10W	R3220		NRSA02J-104X	MG RESISTOR 100kΩ,1/10W
R3048		NRSA02J-221X	MG RESISTOR 220Ω,1/10W	R3222		NRSA02J-472X	MG RESISTOR 4.7kΩ,1/10W
R3049		NRSA02J-0R0X	MG RESISTOR 0Ω,1/10W	R3223		NRSA02J-472X	MG RESISTOR 4.7kΩ,1/10W
R3050		NRSA02J-0R0X	MG RESISTOR 0Ω,1/10W	R3224		NRSA02J-472X	MG RESISTOR 4.7kΩ,1/10W
R3051		NRSA02J-471X	MG RESISTOR 470Ω,1/10W	R3225		NRSA02J-103X	MG RESISTOR 10kΩ,1/10W
R3052		NRSA02J-471X	MG RESISTOR 470Ω,1/10W	R3229		NRSA02J-105X	MG RESISTOR 1MΩ,1/10W
R3053		NRSA02J-471X	MG RESISTOR 470Ω,1/10W	R3230		NRSA02J-472X	MG RESISTOR 4.7kΩ,1/10W
R3054		NRSA02J-0R0X	MG RESISTOR 0Ω,1/10W	R3231		NRSA02J-102X	MG RESISTOR 1kΩ,1/10W
R3055		NRSA02J-0R0X	MG RESISTOR 0Ω,1/10W	R3233		NRSA02J-103X	MG RESISTOR 10kΩ,1/10W
R3056		NRSA02J-102X	MG RESISTOR 1kΩ,1/10W	R3234		NRSA02J-103X	MG RESISTOR 10kΩ,1/10W
R3057		NRSA02J-102X	MG RESISTOR 1kΩ,1/10W	R3235		NRSA02J-102X	MG RESISTOR 1kΩ,1/10W
R3058		NRSA02J-102X	MG RESISTOR 1kΩ,1/10W	R3236		NRSA02J-102X	MG RESISTOR 1kΩ,1/10W
R3059		NRSA02J-102X	MG RESISTOR 1kΩ,1/10W	R3237		NRSA02J-103X	MG RESISTOR 10kΩ,1/10W
R3060		NRSA02J-471X	MG RESISTOR 470Ω,1/10W	R3238		NRSA02J-103X	MG RESISTOR 10kΩ,1/10W

#	△	REF No.	PART No.	PART NAME, DESCRIPTION	#	△	REF No.	PART No.	PART NAME, DESCRIPTION	
R3239			NRSA02J-103X	MG RESISTOR	10kΩ,1/10W	R3364		NRSA02J-102X	MG RESISTOR	1kΩ,1/10W
R3241			NRSA02J-104X	MG RESISTOR	100kΩ,1/10W	R3365		NRSA02J-102X	MG RESISTOR	1kΩ,1/10W
R3251			NRSA02J-103X	MG RESISTOR	10kΩ,1/10W	R3366		NRSA02J-102X	MG RESISTOR	1kΩ,1/10W
R3258			NRSA02J-472X	MG RESISTOR	4.7kΩ,1/10W	R3369		NRSA02J-105X	MG RESISTOR	1MΩ,1/10W
R3301			NRSA02J-102X	MG RESISTOR	1kΩ,1/10W	R3371		NRSA02J-102X	MG RESISTOR	1kΩ,1/10W
R3302			NRSA02J-102X	MG RESISTOR	1kΩ,1/10W	R3376		NRSA02J-102X	MG RESISTOR	1kΩ,1/10W
R3303			NRSA02J-102X	MG RESISTOR	1kΩ,1/10W	R3377		NRSA02J-102X	MG RESISTOR	1kΩ,1/10W
R3305			NRSA02J-102X	MG RESISTOR	1kΩ,1/10W	R3378		NRSA02J-102X	MG RESISTOR	1kΩ,1/10W
R3306			NRSA02J-102X	MG RESISTOR	1kΩ,1/10W	R3379		NRSA02J-102X	MG RESISTOR	1kΩ,1/10W
R3308			NRSA02J-102X	MG RESISTOR	1kΩ,1/10W	R3380		NRSA02J-102X	MG RESISTOR	1kΩ,1/10W
R3309			NRSA02J-102X	MG RESISTOR	1kΩ,1/10W	R3401		NRSA02J-103X	MG RESISTOR	10kΩ,1/10W
R3310			NRSA02J-102X	MG RESISTOR	1kΩ,1/10W	R3402		NRSA02J-473X	MG RESISTOR	47kΩ,1/10W
R3311			NRSA02J-102X	MG RESISTOR	1kΩ,1/10W	R3403		NRSA02J-103X	MG RESISTOR	10kΩ,1/10W
R3312			NRSA02J-102X	MG RESISTOR	1kΩ,1/10W	R3412		NRSA02J-102X	MG RESISTOR	1kΩ,1/10W
R3313			NRSA02J-102X	MG RESISTOR	1kΩ,1/10W	R3417		NRSA02J-102X	MG RESISTOR	1kΩ,1/10W
R3314			NRSA02J-102X	MG RESISTOR	1kΩ,1/10W	R3418		NRSA02J-103X	MG RESISTOR	10kΩ,1/10W
R3315			NRSA02J-102X	MG RESISTOR	1kΩ,1/10W	R3419		NRSA02J-101X	MG RESISTOR	100Ω,1/10W
R3316			NRSA02J-102X	MG RESISTOR	1kΩ,1/10W	R3424		NRSA02J-473X	MG RESISTOR	47kΩ,1/10W
R3317			NRSA02J-102X	MG RESISTOR	1kΩ,1/10W	R3425		NRSA02J-472X	MG RESISTOR	4.7kΩ,1/10W
R3318			NRSA02J-102X	MG RESISTOR	1kΩ,1/10W	R4001		NRSA02J-472X	MG RESISTOR	4.7kΩ,1/10W
R3319			NRSA02J-0R0X	MG RESISTOR	0Ω,1/10W	R4003		NRSA02J-561X	MG RESISTOR	560Ω,1/10W
R3320			NRSA02J-0R0X	MG RESISTOR	0Ω,1/10W	R4004		NRSA02J-561X	MG RESISTOR	560Ω,1/10W
R3321			NRSA02J-472X	MG RESISTOR	4.7kΩ,1/10W	R4005		NRSA02J-562X	MG RESISTOR	5.6kΩ,1/10W
R3322			NRSA02J-0R0X	MG RESISTOR	0Ω,1/10W	R4007		NRSA02J-102X	MG RESISTOR	1kΩ,1/10W
R3323			NRSA02J-0R0X	MG RESISTOR	0Ω,1/10W	R4008		NRSA02J-102X	MG RESISTOR	1kΩ,1/10W
R3324			NRSA02J-102X	MG RESISTOR	1kΩ,1/10W	R4009		NRSA02J-102X	MG RESISTOR	1kΩ,1/10W
R3325			NRSA02J-102X	MG RESISTOR	1kΩ,1/10W	R4010		NRSA02J-102X	MG RESISTOR	1kΩ,1/10W
R3326			NRSA02J-102X	MG RESISTOR	1kΩ,1/10W	R4011		NRSA02J-222X	MG RESISTOR	2.2kΩ,1/10W
R3327			NRSA02J-102X	MG RESISTOR	1kΩ,1/10W	R4012		NRSA02J-222X	MG RESISTOR	2.2kΩ,1/10W
R3328			NRSA02J-102X	MG RESISTOR	1kΩ,1/10W	R4013		NRSA02J-102X	MG RESISTOR	1kΩ,1/10W
R3329			NRSA02J-102X	MG RESISTOR	1kΩ,1/10W	R4014		NRSA02J-222X	MG RESISTOR	2.2kΩ,1/10W
R3330			NRSA02J-102X	MG RESISTOR	1kΩ,1/10W	R4015		NRSA02J-223X	MG RESISTOR	22kΩ,1/10W
R3331			NRSA02J-102X	MG RESISTOR	1kΩ,1/10W	R4016		NRSA02J-103X	MG RESISTOR	10kΩ,1/10W
R3332			NRSA02J-102X	MG RESISTOR	1kΩ,1/10W	R4017		NRSA02J-102X	MG RESISTOR	1kΩ,1/10W
R3334			NRSA02J-102X	MG RESISTOR	1kΩ,1/10W	R4018		NRSA02J-102X	MG RESISTOR	1kΩ,1/10W
R3335			NRSA02J-0R0X	MG RESISTOR	0Ω,1/10W	R4019		NRSA02J-103X	MG RESISTOR	10kΩ,1/10W
R3336			NRSA02J-0R0X	MG RESISTOR	0Ω,1/10W	R4020		NRSA02J-103X	MG RESISTOR	10kΩ,1/10W
R3337			NRSA02J-0R0X	MG RESISTOR	0Ω,1/10W	R4021		NRSA02J-103X	MG RESISTOR	10kΩ,1/10W
R3338			NRSA02J-0R0X	MG RESISTOR	0Ω,1/10W	R6020		NRSA02J-471X	MG RESISTOR	470Ω,1/10W
R3339			NRSA02J-0R0X	MG RESISTOR	0Ω,1/10W	R6021		NRSA02J-471X	MG RESISTOR	470Ω,1/10W
R3340			NRSA02J-102X	MG RESISTOR	1kΩ,1/10W	R6022		NRSA02J-471X	MG RESISTOR	470Ω,1/10W
R3341			NRSA02J-102X	MG RESISTOR	1kΩ,1/10W	R6030		NRSA02J-102X	MG RESISTOR	1kΩ,1/10W
R3342			NRSA02J-102X	MG RESISTOR	1kΩ,1/10W	R6031		NRSA02J-0R0X	MG RESISTOR	0Ω,1/10W
R3343			NRSA02J-102X	MG RESISTOR	1kΩ,1/10W	R6032		NRSA02J-392X	MG RESISTOR	3.9kΩ,1/10W
R3344			NRSA02J-102X	MG RESISTOR	1kΩ,1/10W	R6033		NRSA02J-182X	MG RESISTOR	1.8kΩ,1/10W
R3346			NRSA02J-102X	MG RESISTOR	1kΩ,1/10W	R6060		NRSA02J-103X	MG RESISTOR	10kΩ,1/10W
R3347			NRSA02J-102X	MG RESISTOR	1kΩ,1/10W	R6061		NRSA02J-103X	MG RESISTOR	10kΩ,1/10W
R3348			NRSA02J-102X	MG RESISTOR	1kΩ,1/10W	R6508		NRSA02J-0R0X	MG RESISTOR	0Ω,1/10W
R3349			NRSA02J-102X	MG RESISTOR	1kΩ,1/10W	R6510		NRSA02J-0R0X	MG RESISTOR	0Ω,1/10W
R3350			NRSA02J-102X	MG RESISTOR	1kΩ,1/10W	R6553		NRSA02J-0R0X	MG RESISTOR	0Ω,1/10W
R3351			NRSA02J-102X	MG RESISTOR	1kΩ,1/10W	R6554		NRSA02J-0R0X	MG RESISTOR	0Ω,1/10W
R3352			NRSA02J-102X	MG RESISTOR	1kΩ,1/10W	R7505		NRSA02J-221X	MG RESISTOR	220Ω,1/10W
R3353			NRSA02J-102X	MG RESISTOR	1kΩ,1/10W	R7506		NRSA02J-472X	MG RESISTOR	4.7kΩ,1/10W
R3354			NRSA02J-102X	MG RESISTOR	1kΩ,1/10W	R7507		QRE121J-100Y	RESISTOR	10Ω,1/2W
R3355			NRSA02J-102X	MG RESISTOR	1kΩ,1/10W	R7508		NRSA02J-562X	MG RESISTOR	5.6kΩ,1/10W
R3357			NRSA02J-102X	MG RESISTOR	1kΩ,1/10W	R7514		NRSA02J-0R0X	MG RESISTOR	0Ω,1/10W
R3358			NRSA02J-102X	MG RESISTOR	1kΩ,1/10W	C1		NCB21EK-103X	CAPACITOR	0.01μF,25V
R3360			NRSA02J-102X	MG RESISTOR	1kΩ,1/10W	C2		NCB21EK-103X	CAPACITOR	0.01μF,25V
R3361			NRSA02J-102X	MG RESISTOR	1kΩ,1/10W	C3		NCB21EK-103X	CAPACITOR	0.01μF,25V
R3362			NRSA02J-102X	MG RESISTOR	1kΩ,1/10W	C4		NCB21EK-103X	CAPACITOR	0.01μF,25V
R3363			NRSA02J-102X	MG RESISTOR	1kΩ,1/10W	C5		QEKJ0JM-476Z	E CAPACITOR	47μF,6.3V

#	△ REF No.	PART No.	PART NAME, DESCRIPTION	#	△ REF No.	PART No.	PART NAME, DESCRIPTION
C6		NCB11EK-104X	CAPACITOR 0.1μF,25V	C705		NCB21HK-103X	CAPACITOR 0.01μF,50V
C7		NCB21HK-102X	CAPACITOR 0.001μF,50V	C706		QEKJ0JM-476	E CAPACITOR 47μF,6.3V
C8		NCB21EK-104X	CAPACITOR 0.1μF,25V	C707		NRSA02J-153X	MG RESISTOR 15kΩ,1/10W
C9		QEKJ1HM-225	E CAPACITOR 2.2μF,50V	C708		NCB21HK-103X	CAPACITOR 0.01μF,50V
C10		NDC21HG-151X	CAPACITOR 150pF,50V	C709		QEKJ0JM-337	E CAPACITOR 330μF,6.3V
C11		NCB21EK-104X	CAPACITOR 0.1μF,25V	C711		NCB21HK-103X	CAPACITOR 0.01μF,50V
C14		NCB21EK-104X	CAPACITOR 0.1μF,25V	C712		NCB21HK-103X	CAPACITOR 0.01μF,50V
C15		NCB21EK-103X	CAPACITOR 0.01μF,25V	C713		NCB21HK-103X	CAPACITOR 0.01μF,50V
C16		NCB11EK-104X	CAPACITOR 0.1μF,25V	C714		NCB21HK-103X	CAPACITOR 0.01μF,50V
C17		QEKJ1HM-335	E CAPACITOR 3.3μF,50V	C715		QEKJ1CM-226	E CAPACITOR 22μF,16V
C18		QEKJ1HM-105	E CAPACITOR 1μF,50V	C717		QEKJ1HM-105	E CAPACITOR 1μF,50V
C19		QEKJ1HM-225	E CAPACITOR 2.2μF,50V	C718		QEKJ1HM-225	E CAPACITOR 2.2μF,50V
C20		QEKJ1HM-105	E CAPACITOR 1μF,50V	C719		NCB21HK-103X	CAPACITOR 0.01μF,50V
C21		NCB21EK-104X	CAPACITOR 0.1μF,25V	C720		QEKJ1HM-225	E CAPACITOR 2.2μF,50V
C22		QEKJ0JM-476Z	E CAPACITOR 47μF,6.3V	C721		NDC21HJ-101X	CAPACITOR 100pF,50V
C23		NCB21EK-104X	CAPACITOR 0.1μF,25V	C722		NCB21HK-103X	CAPACITOR 0.01μF,50V
C24		NCB21EK-104X	CAPACITOR 0.1μF,25V	C757		QEKJ1HM-225	E CAPACITOR 2.2μF,50V
C25		NDC21HJ-6R0X	CAPACITOR 6pF,50V	C758		NDC21HJ-101X	CAPACITOR 100pF,50V
C26		NCB21EK-104X	CAPACITOR 0.1μF,25V	C759		QEPF1HM-225	NP E CAPACITOR 2.2μF,50V
C27		NCB21HK-223X	CAPACITOR 0.022μF,50V	C760		NCB21HK-103X	CAPACITOR 0.01μF,50V
C28		QEKJ1HM-335	E CAPACITOR 3.3μF,50V	C761		QEKJ1HM-225	E CAPACITOR 2.2μF,50V
C29		NCB21EK-333X	CAPACITOR 0.033μF,25V	C762		NDC21HJ-101X	CAPACITOR 100pF,50V
C30		NCB21CK-474X	CAPACITOR 0.47μF,16V	C763		QEKJ1HM-105	E CAPACITOR 1μF,50V
C31		QEKJ0JM-476Z	E CAPACITOR 47μF,6.3V	C764		QEKJ0JM-107	E CAPACITOR 100μF,6.3V
C33		QEKJ1HM-225	E CAPACITOR 2.2μF,50V	C765		NCB21HK-332X	CAPACITOR 0.0033μF,50V
C34		NCB21EK-104X	CAPACITOR 0.1μF,25V	C766		NCB21HK-103X	CAPACITOR 0.01μF,50V
C35		NCB21HK-103X	CAPACITOR 0.01μF,50V	C767		NCB21HK-473X	CAPACITOR 0.047μF,50V
C36		QEKJ1EM-475	E CAPACITOR 4.7μF,25V	C768		QEKJ0JM-226	E CAPACITOR 22μF,6.3V
C37		NCB21AK-105X	CAPACITOR 1μF,10V	C769		QEKJ1CM-106	E CAPACITOR 10μF,16V
C38		QEKJ0JM-476Z	E CAPACITOR 47μF,6.3V	C770		QEKJ1CM-106	E CAPACITOR 10μF,16V
C39		NCB21EK-104X	CAPACITOR 0.1μF,25V	C771		QEKJ1EM-475	E CAPACITOR 4.7μF,25V
C40		QEKJ1CM-106	E CAPACITOR 10μF,16V	C772		NCB21HK-103X	CAPACITOR 0.01μF,50V
C53		NDC21HJ-101X	CAPACITOR 100pF,50V	C773		NDC21HJ-470X	CAPACITOR 47pF,50V
C59		NCB21EK-104X	CAPACITOR 0.1μF,25V	C791		QEKJ0JM-476	E CAPACITOR 47μF,6.3V
C60		QEKJ0JM-476Z	E CAPACITOR 47μF,6.3V	C799		QEKJ0JM-476	E CAPACITOR 47μF,6.3V
C61		NCB21HK-103X	CAPACITOR 0.01μF,50V	C801		NCB21HK-103X	CAPACITOR 0.01μF,50V
C63		NCB21EK-104X	CAPACITOR 0.1μF,25V	C802		NCB21HK-103X	CAPACITOR 0.01μF,50V
C64		NDC21HJ-220X	CAPACITOR 22pF,50V	C803		NCB21HK-103X	CAPACITOR 0.01μF,50V
C65		QEKJ1HM-105	E CAPACITOR 1μF,50V	C2001		QETJ1HM-475	E CAPACITOR 4.7μF,50V
C69		NCB21EK-104X	CAPACITOR 0.1μF,25V	C2002		QEKJ1CM-106	E CAPACITOR 10μF,16V
C70		NCB21EK-104X	CAPACITOR 0.1μF,25V	C2003		QEKJ0JM-476	E CAPACITOR 47μF,6.3V
C72		NDC21HJ-470X	CAPACITOR 47pF,50V	C2004		NCB21HK-103X	CAPACITOR 0.01μF,50V
C73		NDC21HJ-120X	CAPACITOR 12pF,50V	C2005		QEKJ1EM-475	E CAPACITOR 4.7μF,25V
C80		NCB21HK-103X	CAPACITOR 0.01μF,50V	C2006		NCB21HK-123X	CAPACITOR 0.012μF,50V
C84		NRSA02J-682X	MG RESISTOR 6.8kΩ,1/10W	C2007		QEKJ1CM-226	E CAPACITOR 22μF,16V
C93		NDC21HJ-220X	CAPACITOR 22pF,50V	C2008		QEKJ1EM-475	E CAPACITOR 4.7μF,25V
C94		NRSA02J-0R0X	MG RESISTOR 0Ω,1/10W	C2009		NCB21HK-122X	CAPACITOR 0.0012μF,50V
C103		NCB21HK-103X	CAPACITOR 0.01μF,50V	C2010		NCB21HK-152X	CAPACITOR 0.0015μF,50V
C106		NCB21HK-821X	CAPACITOR 820pF,50V	C2011		QEKJ1EM-475	E CAPACITOR 4.7μF,25V
C108		NDC21HJ-680X	CAPACITOR 68pF,50V	C2012		QEKJ1EM-475	E CAPACITOR 4.7μF,25V
C109		NCB21CK-224X	CAPACITOR 0.22μF,16V	C2013		NCB21HK-331X	CAPACITOR 330pF,50V
C110		NDC21HJ-820X	CAPACITOR 82pF,50V	C2021		NCB21HK-103X	CAPACITOR 0.01μF,50V
C114		NDC21HJ-181X	CAPACITOR 180pF,50V	C2051		NCB21HK-331X	CAPACITOR 330pF,50V
C131		NCB21HK-103X	CAPACITOR 0.01μF,50V	C2052		QFLC1HJ-333Z	F CAPACITOR 0.033μF,50V
C401		NCB21HK-103X	CAPACITOR 0.01μF,50V	C2053		NCB21HK-472X	CAPACITOR 0.0047μF,50V
C402		NCB21HK-223X	CAPACITOR 0.022μF,50V	C2054		NCB21HK-103X	CAPACITOR 0.01μF,50V
C403		NDC21HJ-131X	CAPACITOR 130pF,50V	C2055		QEKJ1CM-106	E CAPACITOR 10μF,16V
C404		NDC21HJ-470X	CAPACITOR 47pF,50V	C2061		QFLC1HJ-333Z	F CAPACITOR 0.033μF,50V
C406		NCB21HK-102X	CAPACITOR 0.001μF,50V	C2062		NCB21HK-332X	CAPACITOR 0.0033μF,50V
C407		NDC21HJ-150X	CAPACITOR 15pF,50V	C2063		NCB21HK-103X	CAPACITOR 0.01μF,50V
C704		NCB21HK-103X	CAPACITOR 0.01μF,50V	C2064		QEKJ1CM-106	E CAPACITOR 10μF,16V

#	△	REF No.	PART No.	PART NAME, DESCRIPTION	#	△	REF No.	PART No.	PART NAME, DESCRIPTION
C2121			QEKJ1CM-476	E CAPACITOR 47μF,16V	C3010		QEZ0244-229	EDL CAPACITOR 0.0022F,5.5V	
C2201			NCB21EK-104X	CAPACITOR 0.1μF,25V	C3012		QEKJ0JM-107	E CAPACITOR 100μF,6.3V	
C2202			NCB21EK-333X	CAPACITOR 0.033μF,25V	C3015		NCB21EK-104X	CAPACITOR 0.1μF,25V	
C2203			QEKJ1CM-106	E CAPACITOR 10μF,16V	C3016		NCB21EK-104X	CAPACITOR 0.1μF,25V	
C2204			NCB21HK-102X	CAPACITOR 0.001μF,50V	C3022		NCB21EK-104X	CAPACITOR 0.1μF,25V	
C2205			QEKJ1HM-105	E CAPACITOR 1μF,50V	C3024		NDC21HJ-220X	CAPACITOR 22pF,50V	
C2207			QEKJ1CM-476	E CAPACITOR 47μF,16V	C3025		QAT3725-300Z	TRIM CAPACITOR,CLOCK ADJ	
C2208			QETJ1HM-475	E CAPACITOR 4.7μF,50V	C3027		QERF1CM-106	E CAPACITOR 10μF,16V	
C2213			QEKJ1CM-106	E CAPACITOR 10μF,16V	C3030		QERF1CM-226	E CAPACITOR 22μF,16V	
C2214			QEKJ1CM-106	E CAPACITOR 10μF,16V	C3031		NCB21EK-104X	CAPACITOR 0.1μF,25V	
C2215			QERF1EM-475	E CAPACITOR 4.7μF,25V	C3032		NCB21EK-104X	CAPACITOR 0.1μF,25V	
C2216			QEKJ1HM-474	E CAPACITOR 0.47μF,50V	C3033		NCB21EK-104X	CAPACITOR 0.1μF,25V	
C2217			QEKJ1CM-106	E CAPACITOR 10μF,16V	C3036		NDC21HJ-180X	CAPACITOR 18pF,50V	
C2218			QEKJ1HM-474	E CAPACITOR 0.47μF,50V	C3037		NDC21HJ-120X	CAPACITOR 12pF,50V	
C2219			QEKJ1CM-106	E CAPACITOR 10μF,16V	C3040		NCB21HK-103X	CAPACITOR 0.01μF,50V	
C2220			QEKJ1EM-475	E CAPACITOR 4.7μF,25V	C3042		QETJ0JM-477	E CAPACITOR 470μF,6.3V	
C2221			NCB21HK-103X	CAPACITOR 0.01μF,50V	C3054		NCB21EK-104X	CAPACITOR 0.1μF,25V	
C2222			QEKJ1HM-474	E CAPACITOR 0.47μF,50V	C3310		NCB21HK-103X	CAPACITOR 0.01μF,50V	
C2223			QEKJ1HM-474	E CAPACITOR 0.47μF,50V	C3311		QEKJ1HM-335	E CAPACITOR 3.3μF,50V	
C2224			NCB21HK-103X	CAPACITOR 0.01μF,50V	C3312		NCB21HK-103X	CAPACITOR 0.01μF,50V	
C2225			QEKJ1EM-475	E CAPACITOR 4.7μF,25V	C3313		NCB21EK-473X	CAPACITOR 0.047μF,25V	
C2226			QEKJ1CM-106	E CAPACITOR 10μF,16V	C4002		NCB21EK-104X	CAPACITOR 0.1μF,25V	
C2227			NCB21CK-104X	CAPACITOR 0.1μF,16V	C4003		NCB21HK-102X	CAPACITOR 0.001μF,50V	
C2228			NCB21CK-104X	CAPACITOR 0.1μF,16V	C4004		QERF1CM-226	E CAPACITOR 22μF,16V	
C2229			NDC21HJ-101X	CAPACITOR 100pF,50V	C4006		QERF0JM-476	E CAPACITOR 47μF,6.3V	
C2230			NDC21HJ-101X	CAPACITOR 100pF,50V	C4007		NCB21HJ-102X	CAPACITOR 0.001μF,50V	
C2231			NCB21HK-222X	CAPACITOR 0.0022μF,50V	C4008		NCB21AK-105X	CAPACITOR 1μF,10V	
C2251			QEKJ1CM-476	E CAPACITOR 47μF,16V	C4009		NCB21HK-563X	CAPACITOR 0.056μF,50V	
C2252			NCB21HK-103X	CAPACITOR 0.01μF,50V	C4010		NCB21EK-223X	CAPACITOR 0.022μF,25V	
C2253			NCB21CK-104X	CAPACITOR 0.1μF,16V	C4011		NCB21EK-104X	CAPACITOR 0.1μF,25V	
C2254			NCB21CK-104X	CAPACITOR 0.1μF,16V	C4012		NCB21EK-224X	CAPACITOR 0.22μF,25V	
C2255			NDC21HJ-181X	CAPACITOR 180pF,50V	C4013		NCB21HK-563X	CAPACITOR 0.056μF,50V	
C2601			QEKJ1CM-106	E CAPACITOR 10μF,16V	C4014		NDC21HJ-101X	CAPACITOR 100pF,50V	
C2602			NDC21HJ-101X	CAPACITOR 100pF,50V	C4015		NDC21HJ-331X	CAPACITOR 330pF,50V	
C2603			NDC21HJ-101X	CAPACITOR 100pF,50V	C4016		NCB21HK-681X	CAPACITOR 680pF,50V	
C2604			QEKJ1CM-476	E CAPACITOR 47μF,16V	C4017		NCB21HK-222X	CAPACITOR 0.0022μF,50V	
C2605			QEKJ1CM-106	E CAPACITOR 10μF,16V	C6007		QEKJ0JM-337	E CAPACITOR 330μF,6.3V	
C2606			QEKJ1HM-105	E CAPACITOR 1μF,50V	C6014		NCB21HK-103X	CAPACITOR 0.01μF,50V	
C2607			QEKJ1HM-105	E CAPACITOR 1μF,50V	C6023		NCB21HK-103X	CAPACITOR 0.01μF,50V	
C2610			NDC21HJ-101X	CAPACITOR 100pF,50V	C6032		NCB21HK-473X	CAPACITOR 0.047μF,50V	
C2611			NDC21HJ-101X	CAPACITOR 100pF,50V	C6033		NRSA02J-0R0X	MG RESISTOR 0Ω, 1/10W	
C2612			QEKJ1CM-106	E CAPACITOR 10μF,16V	C6037		QEKJ1CM-106	E CAPACITOR 10μF,16V	
C2651			QEKJ1CM-106	E CAPACITOR 10μF,16V	C6553		QEKJ1CM-336	E CAPACITOR 33μF,16V	
C2652			QEKJ1CM-106	E CAPACITOR 10μF,16V	C6555		NCF21EZ-104X	CAPACITOR 0.1μF,25V	
C2653			NDC21HJ-101X	CAPACITOR 100pF,50V	C7503		QETJ0JM-477	E CAPACITOR 470μF,6.3V	
C2654			NDC21HJ-101X	CAPACITOR 100pF,50V	L1		QQL29BJ-100Z	COIL 10μH	
C2655			QEKJ1CM-106	E CAPACITOR 10μF,16V	L3		QQL29BJ-100Z	COIL 10μH	
C2656			QEKJ1CM-106	E CAPACITOR 10μF,16V	L4		QQL29BJ-100Z	COIL 10μH	
C2657			QEKJ1CM-106	E CAPACITOR 10μF,16V	L5		QQR0657-019Z	NOISE FILTER	
C2658			QEKJ1CM-106	E CAPACITOR 10μF,16V	L12		QQR0967-001	COIL 12μH	
C2659			QEKJ1CM-106	E CAPACITOR 10μF,16V	L13		QQL071J-330Y	COIL 33μH	
C2660			QEKJ1CM-106	E CAPACITOR 10μF,16V	L15		QQL29BJ-100Z	COIL 10μH	
C2661			QEKJ1CM-106	E CAPACITOR 10μF,16V	L17		QQL071J-5R6Y	COIL 5.6μH	
C2681			QEKJ1CM-106	E CAPACITOR 10μF,16V	L18		QQL071J-220Y	COIL 22μH	
C2682			QEKJ1CM-476	E CAPACITOR 47μF,16V	L19		QQL071J-120Y	COIL 12μH	
C2683			QEKJ1CM-476	E CAPACITOR 47μF,16V	L20		QQL071J-680Y	COIL 68μH	
C3001			NCB21EK-104X	CAPACITOR 0.1μF,25V	L24		QQL071J-270Y	COIL 27μH	
C3002			NCB21HK-103X	CAPACITOR 0.01μF,50V	L27		QQL071J-330Y	COIL 33μH	
C3003			QEKJ1CM-106	E CAPACITOR 10μF,16V	L28		QQL071J-680Y	COIL 68μH	
C3004			NCB21EK-104X	CAPACITOR 0.1μF,25V	L401		QQL071J-150Y	COIL 15μH	
C3008			NCB21HK-102X	CAPACITOR 0.001μF,50V					

#	△ REF No.	PART No.	PART NAME, DESCRIPTION
L701		QQL29BJ-4R7Z	COIL 4.7μH
L702		QQL29BJ-4R7Z	COIL 4.7μH
L714		QQL29BJ-4R7Z	COIL 4.7μH
L715		QQL29BJ-4R7Z	COIL 4.7μH
L2001		QQL29BJ-100Z	COIL 10μH
L2251		QQL29BJ-100Z	COIL 10μH
L2252		QQL29BJ-151Z	COIL 150μH
L3011		QRE141J-0R0Y	RESISTOR 0Ω,1/4W
L3012		QRE141J-0R0Y	RESISTOR 0Ω,1/4W
L3301		QQL231J-100Y	COIL 10μH
L6001		QQL29BJ-100Z	COIL 10μH
L6002		QQL29BJ-100Z	COIL 10μH
L6005		QQL29BJ-100Z	COIL 10μH
L7501		QQL29BJ-101Z	COIL 100μH
CF3301		QAX0227-001Z	RESONATOR
X1		QAX0576-001	CRYSTAL RESONATOR
X3001		QAX0445-001	CRYSTAL RESONATOR
X3002		QAX0527-001	CRYSTAL RESONATOR
S3001		QSW0602-004	PUSH SWITCH,REC SAFETY
S3002		QSW0695-001	PUSH SWITCH,S CASS SW
K2001		NQL092M-47NX	COIL
K2002		NQL092M-47NX	COIL
K2251		NRSA02J-0R0X	MG RESISTOR 0Ω,1/10W
K2252		NRSA02J-0R0X	MG RESISTOR 0Ω,1/10W
K2253		NRSA02J-0R0X	MG RESISTOR 0Ω,1/10W
K6080		NQR0200-003X	FERRITE BEAD
PC3001		GP3S123	IC(PHOTO SENSOR)
PC3002		GP3S123	IC(PHOTO SENSOR)
T2051		PELN0860	OSC TRANSFORMER
T2052		PELN0861	OSC TRANSFORMER
TU6001		QAU0151-001	TUNER
SD1		LP30644-001A	SHIELD CASE(PRE)
OT1		LP40229-002A	PLATE
W855		NRSA02J-101X	MG RESISTOR 100Ω,1/10W
WR100		QUQ112-1414CG	FFC WIRE,CN7506
CN1		QGF1028C1-13	FPC CONNECTOR,(1-13)U.DRUM
CN703		QGA2001C1-06	CONNECTOR,(1-6)DV MAIN
CN2001		QGF1207C1-07	FPC CONNECTOR,(1-7)A/C HEAD
CN2002		QGB2532J1-02	CONNECTOR,(1-2)FE HEAD
CN2601		QGF1016C3-08	FFC/FPC CONNECTOR,(1-8)DV AUDIO
CN3001		QGF1207C1-05	FPC CONNECTOR,(1-5)DRUM MDA
CN3002		QGB2532J1-02	CONNECTOR,(1-2)LOADING MOTOR
CN3003		QGB2015M2-08	CONNECTOR,(1-8)CAPSTAN MOTOR
CN3004		QGB2534J2-04	CONNECTOR,(1-4)ROTARY ENCODER
CN3011		QGF1209F2-18	FFC/FPC CONNECTOR,(1-18)SW/DISPLAY
CN3014		QGF1016C3-06	FFC/FPC CONNECTOR,(1-6)DV MAIN
CN7501		QGB2024K1-15S	CONNECTOR,(1-15)TERMINAL
CN7502		QGB2024K1-05S	CONNECTOR,(1-5)TERMINAL
CN7503		QGB2024K1-14S	CONNECTOR,(1-14)TERMINAL
CN7504		QGB2024K1-11S	CONNECTOR,(1-11)TERMINAL
CN7506		QGF1207C1-14	FPC CONNECTOR,(1-14)S-SUB
CN7507		QGF1209F2-16	FFC/FPC CONNECTOR,(1-16)JACK
CN7508		QGF1207C1-13	FPC CONNECTOR,(1-13)REG
CN7509		QGF1207C1-15	FPC CONNECTOR,(1-15)REG
△ CP3002		ICP-N15	CIRCUIT PROTECTOR
△ CP3003		ICP-N25	CIRCUIT PROTECTOR
△ CP3004		ICP-N15	CIRCUIT PROTECTOR
△ CP4001		ICP-N25	CIRCUIT PROTECTOR

#	△ REF No.	PART No.	PART NAME, DESCRIPTION

3D DIGITAL/2M BOARD ASSEMBLY <05>			
PW1		LPA10105-03A	3D DIGITAL/2M BOARD ASSY
IC1401		JCP8026	IC
Q1401		2SC1317/RS/-T	TRANSISTOR
Q1402		2SA1576A/QR/-X	TRANSISTOR
		or 2PA1576/R/-X	TRANSISTOR
Q1403		2SA1576A/QR/-X	TRANSISTOR
		or 2PA1576/R/-X	TRANSISTOR
Q1404		DTC144WU	TRANSISTOR
		or RN1309	TRANSISTOR
		or UN521E	TRANSISTOR
Q1406		2SA1576A/QR/-X	TRANSISTOR
		or 2PA1576/R/-X	TRANSISTOR
Q1407		2SA1576A/QR/-X	TRANSISTOR
		or 2PA1576/R/-X	TRANSISTOR
Q1408		2SC4081/S/-X	TRANSISTOR
Q1410		2SC4081/QRS/-X	TRANSISTOR
		or 2PC4081/R/-X	TRANSISTOR
Q1412		2SC4081/QRS/-X	TRANSISTOR
		or 2PC4081/R/-X	TRANSISTOR
Q1413		2SA1576A/QR/-X	TRANSISTOR
		or 2PA1576/R/-X	TRANSISTOR
Q1414		DTC144WU	TRANSISTOR
		or RN1309	TRANSISTOR
		or UN521E	TRANSISTOR
Q1417		2SC4081/QRS/-X	TRANSISTOR
		or 2PC4081/R/-X	TRANSISTOR
Q1418		2SA1576A/QR/-X	TRANSISTOR
		or 2PA1576/R/-X	TRANSISTOR
Q1419		DTC124TU	TRANSISTOR
Q1420		2SC4081/QRS/-X	TRANSISTOR
		or 2PC4081/R/-X	TRANSISTOR
D1401		RD4.3ES/B2/-T2	ZENER DIODE
		or MTZJ4.3B	ZENER DIODE
D1402		1SS133	DIODE
		or 1N4148M	DIODE
R1401		NRSA02J-181X	MG RESISTOR 180Ω,1/10W
R1402		NRSA02J-101X	MG RESISTOR 100Ω,1/10W
R1404		NRSA02J-182X	MG RESISTOR 1.8kΩ,1/10W
R1406		NRSA02J-471X	MG RESISTOR 470Ω,1/10W
R1407		NRSA02J-272X	MG RESISTOR 2.7kΩ,1/10W
R1408		NRSA02J-122X	MG RESISTOR 1.2kΩ,1/10W
R1410		NRSA02J-391X	MG RESISTOR 390Ω,1/10W
R1411		NRSA02J-152X	MG RESISTOR 1.5kΩ,1/10W
R1413		NRSA02J-331X	MG RESISTOR 330Ω,1/10W
R1414		NRSA02J-821X	MG RESISTOR 820Ω,1/10W
R1415		NRSA02J-221X	MG RESISTOR 220Ω,1/10W
R1416		NRSA02J-104X	MG RESISTOR 100kΩ,1/10W
R1417		NRSA02J-101X	MG RESISTOR 100Ω,1/10W
R1418		NRSA02J-471X	MG RESISTOR 470Ω,1/10W
R1421		NRSA02J-391X	MG RESISTOR 390Ω,1/10W
R1426		NRSA02J-561X	MG RESISTOR 560Ω,1/10W
R1427		NRSA02J-333X	MG RESISTOR 33kΩ,1/10W
R1428		NRSA02J-393X	MG RESISTOR 39kΩ,1/10W
R1429		NRSA02J-152X	MG RESISTOR 1.5kΩ,1/10W
R1430		NRSA02J-222X	MG RESISTOR 2.2kΩ,1/10W
R1431		NRSA02J-821X	MG RESISTOR 820Ω,1/10W
R1432		NRSA02J-182X	MG RESISTOR 1.8kΩ,1/10W

#	△	REF No.	PART No.	PART NAME, DESCRIPTION	#	△	REF No.	PART No.	PART NAME, DESCRIPTION
R1433			NRSA02J-510X	MG RESISTOR 51Ω,1/10W	C1446		QEKJ0JM-107	E CAPACITOR	100μF,6.3V
R1434			NRSA02J-153X	MG RESISTOR 15kΩ,1/10W	C1447		NCF21EZ-104X	CAPACITOR	0.1μF,25V
R1435			NRSA02J-223X	MG RESISTOR 22kΩ,1/10W	C1448		QEKJ0JM-337	E CAPACITOR	330μF,6.3V
R1436			NRSA02J-682X	MG RESISTOR 6.8kΩ,1/10W	C1449		NCF21EZ-104X	CAPACITOR	0.1μF,25V
R1437			NRSA02J-392X	MG RESISTOR 3.9kΩ,1/10W	C1450		NCF21EZ-104X	CAPACITOR	0.1μF,25V
R1438			NRSA02J-473X	MG RESISTOR 47kΩ,1/10W	C1451		QEKJ1EM-475	E CAPACITOR	4.7μF,25V
R1439			NRSA02J-273X	MG RESISTOR 27kΩ,1/10W	C1452		NCF21EZ-104X	CAPACITOR	0.1μF,25V
R1440			NRSA02J-473X	MG RESISTOR 47kΩ,1/10W	C1453		NCF21EZ-104X	CAPACITOR	0.1μF,25V
R1441			NRSA02J-682X	MG RESISTOR 6.8kΩ,1/10W	C1454		NCF21EZ-104X	CAPACITOR	0.1μF,25V
R1442			NRSA02J-682X	MG RESISTOR 6.8kΩ,1/10W	C1455		NCF21EZ-104X	CAPACITOR	0.1μF,25V
R1446			NRSA02J-102X	MG RESISTOR 1kΩ,1/10W	C1459		NDC21HJ-470X	CAPACITOR	47pF,50V
R1447			NRSA02J-102X	MG RESISTOR 1kΩ,1/10W	C1460		NDC21HJ-470X	CAPACITOR	47pF,50V
R1448			NRSA02J-102X	MG RESISTOR 1kΩ,1/10W	C1461		NDC21HJ-470X	CAPACITOR	47pF,50V
R1449			NRSA02J-102X	MG RESISTOR 1kΩ,1/10W	C1462		NDC21HJ-470X	CAPACITOR	47pF,50V
R1450			NRSA02J-102X	MG RESISTOR 1kΩ,1/10W	C1463		QEKJ0JM-336	E CAPACITOR	33μF,6.3V
R1452			NRSA02J-471X	MG RESISTOR 470Ω,1/10W	C1465		NDC21HJ-470X	CAPACITOR	47pF,50V
R1453			NRSA02J-102X	MG RESISTOR 1kΩ,1/10W	C1466		NDC21HJ-470X	CAPACITOR	47pF,50V
R1454			NRSA02J-102X	MG RESISTOR 1kΩ,1/10W	C1467		NDC21HJ-470X	CAPACITOR	47pF,50V
R1455			NRSA02J-681X	MG RESISTOR 680Ω,1/10W	C1468		NDC21HJ-101X	CAPACITOR	100pF,50V
R1458			NRSA02J-681X	MG RESISTOR 680Ω,1/10W	C1470		NDC21HJ-330X	CAPACITOR	33pF,50V
R1459			NRSA02J-681X	MG RESISTOR 680Ω,1/10W	C1471		NCF21EZ-104X	CAPACITOR	0.1μF,25V
R1460			NRSA02J-273X	MG RESISTOR 27kΩ,1/10W	C1472		NCF21EZ-104X	CAPACITOR	0.1μF,25V
R1461			NRSA02J-121X	MG RESISTOR 120Ω,1/10W	C1473		NCF21EZ-104X	CAPACITOR	0.1μF,25V
R1463			NRSA02J-101X	MG RESISTOR 100Ω,1/10W	L1401		QQL29BJ-100Z	COIL	10μH
VR1401			QVZ3521-103Z	V RESISTOR,D/A LEVEL ADJ	L1402		QQL071J-6R8Y	COIL	6.8μH
C1401			QEKJ1CM-336	E CAPACITOR 33μF,16V	L1403		QQL071J-6R8Y	COIL	6.8μH
C1402			NCB21HK-103X	CAPACITOR 0.01μF,50V	L1404		QQL071J-6R8Y	COIL	6.8μH
C1403			QEKJ0JM-337	E CAPACITOR 330μF,6.3V	L1405		QQL29BJ-101Z	COIL	100μH
C1404			NCF21EZ-104X	CAPACITOR 0.1μF,25V	L1406		QQL071J-330Y	COIL	33μH
C1405			NCF21EZ-104X	CAPACITOR 0.1μF,25V	L1407		QQL29BJ-101Z	COIL	100μH
C1406			NCB21HK-103X	CAPACITOR 0.01μF,50V	L1409		QQL071J-1R0Y	COIL	1μH
C1407			NDC21HJ-680X	CAPACITOR 68pF,50V	LC1401		QQR0657-013Z	NOISE FILTER	
C1408			NDC21HJ-330X	CAPACITOR 33pF,50V	LC1402		QQR0657-010Z	NOISE FILTER	
C1410			QEKJ1EM-475	E CAPACITOR 4.7μF,25V	SD1		LP30706-001B	SHIELD FRAME(S VHS)	
C1411			NCF21EZ-104X	CAPACITOR 0.1μF,25V	SD2		LP30684-001A	SHIELD CASE(S VHS)	
C1412			NDC21HJ-680X	CAPACITOR 68pF,50V	CN1401		QGG2502K1-17	HEADER PIN,(1-7)MAIN	
C1413			NDC21HJ-330X	CAPACITOR 33pF,50V					
C1415			NCF21EZ-104X	CAPACITOR 0.1μF,25V					
C1416			QEKJ1CM-106	E CAPACITOR 10μF,16V					
C1417			NCF21EZ-104X	CAPACITOR 0.1μF,25V					
C1421			NDC21HJ-330X	CAPACITOR 33pF,50V					
C1422			NDC21HJ-680X	CAPACITOR 68pF,50V					
C1423			NCF21EZ-104X	CAPACITOR 0.1μF,25V					
C1424			NCB21HK-103X	CAPACITOR 0.01μF,50V					
C1425			NCB21HK-103X	CAPACITOR 0.01μF,50V					
C1426			NDC21HJ-390X	CAPACITOR 39pF,50V					
C1428			NDC21HJ-220X	CAPACITOR 22pF,50V					
C1429			QEKJ0JM-337	E CAPACITOR 330μF,6.3V					
C1430			NCF21EZ-104X	CAPACITOR 0.1μF,25V					
C1432			NCF21CZ-105X	CAPACITOR 1μF,16V					
C1433			NCF21EZ-104X	CAPACITOR 0.1μF,25V					
C1435			NCF21EZ-104X	CAPACITOR 0.1μF,25V					
C1436			NCF21EZ-104X	CAPACITOR 0.1μF,25V					
C1437			NCF21EZ-104X	CAPACITOR 0.1μF,25V					
C1438			NCF21EZ-104X	CAPACITOR 0.1μF,25V					
C1439			NCF21CZ-105X	CAPACITOR 1μF,16V					
C1440			NCF21EZ-104X	CAPACITOR 0.1μF,25V					
C1441			NCF21EZ-104X	CAPACITOR 0.1μF,25V					
C1442			NCF21CZ-105X	CAPACITOR 1μF,16V					
C1444			NCF21EZ-104X	CAPACITOR 0.1μF,25V					
C1445			NCF21EZ-104X	CAPACITOR 0.1μF,25V					

TERMINAL BOARD ASSEMBLY <06>

PW1	LPA10114-01C	TERMINAL BOARD ASSY
IC7101	MM1224XF	IC
IC7102	MM1228XF	IC
IC7103	MM1024AF	IC
IC7104	BH7636S	IC
Q7102	2SC4081/QRS/-X	TRANSISTOR
	or 2PC4081/R/-X	TRANSISTOR
	or 2SD1819A/QRS/-X	TRANSISTOR
Q7103	2SA1576A/QR/-X	TRANSISTOR
	or 2SB1218A/QR/-X	TRANSISTOR
	or 2PA1576/R/-X	TRANSISTOR
Q7104	2SA1576A/QR/-X	TRANSISTOR
	or 2PA1576/R/-X	TRANSISTOR
	or 2SB1218A/QR/-X	TRANSISTOR
Q7105	DTC144WU	TRANSISTOR
	or PDTTC144WU	TRANSISTOR
	or RN1309	TRANSISTOR
	or UN521E	TRANSISTOR

#	△ REF No.	PART No.	PART NAME, DESCRIPTION	#	△ REF No.	PART No.	PART NAME, DESCRIPTION	
Q7106		DTC144WU	TRANSISTOR	R7112		NRSA02J-152X	MG RESISTOR	1.5kΩ,1/10W
		or RN1309	TRANSISTOR	R7113		NRSA02J-271X	MG RESISTOR	270Ω,1/10W
		or UN521E	TRANSISTOR	R7114		NRSA02J-152X	MG RESISTOR	1.5kΩ,1/10W
		or PDTC144WU	TRANSISTOR	R7115		NRSA02J-392X	MG RESISTOR	3.9kΩ,1/10W
Q7107		2SC4226/4/-X	TRANSISTOR	R7116		NRSA02J-562X	MG RESISTOR	5.6kΩ,1/10W
Q7108		2SC4226/4/-X	TRANSISTOR	R7117		NRSA02J-152X	MG RESISTOR	1.5kΩ,1/10W
Q7109		2SC4226/4/-X	TRANSISTOR	R7118		NRSA02J-271X	MG RESISTOR	270Ω,1/10W
Q7110		2SC4226/4/-X	TRANSISTOR	R7119		NRSA02J-152X	MG RESISTOR	1.5kΩ,1/10W
Q7111		DTC144WU	TRANSISTOR	R7120		NRSA02J-332X	MG RESISTOR	3.3kΩ,1/10W
		or PDTC144WU	TRANSISTOR	R7121		NRVA02D-561X	CMF RESISTOR	560Ω,1/10W
		or RN1309	TRANSISTOR	R7122		NRVA02D-471X	CMF RESISTOR	470Ω,1/10W
		or UN521E	TRANSISTOR	R7123		NRSA02J-102X	MG RESISTOR	1kΩ,1/10W
Q7112		2SA1576A/QR/-X	TRANSISTOR	R7124		NRVA02D-750X	CMF RESISTOR	75Ω,1/10W
		or 2SB1218A/QR/-X	TRANSISTOR	R7125		NRVA02D-750X	CMF RESISTOR	75Ω,1/10W
		or 2PA1576/R/-X	TRANSISTOR	R7126		NRSA02J-101X	MG RESISTOR	100Ω,1/10W
Q7113		2SC4081/QRS/-X	TRANSISTOR	R7127		NRVA02D-561X	CMF RESISTOR	560Ω,1/10W
		or 2PC4081/R/-X	TRANSISTOR	R7128		NRVA02D-471X	CMF RESISTOR	470Ω,1/10W
		or 2SD1819A/QRS/-X	TRANSISTOR	R7129		NRSA02J-102X	MG RESISTOR	1kΩ,1/10W
Q7114		2SA1576A/QR/-X	TRANSISTOR	R7130		NRSA02J-0R0X	MG RESISTOR	0Ω,1/10W
		or 2SB1218A/QR/-X	TRANSISTOR	R7131		NRSA02J-153X	MG RESISTOR	15kΩ,1/10W
		or 2PA1576/R/-X	TRANSISTOR	R7132		NRSA02J-103X	MG RESISTOR	10kΩ,1/10W
Q7115		2SC4081/QRS/-X	TRANSISTOR	R7133		QRE121J-331Y	RESISTOR	330Ω,1/2W
		or 2PC4081/R/-X	TRANSISTOR	R7134		QRE141J-680Y	RESISTOR	68Ω,1/4W
		or 2SD1819A/QRS/-X	TRANSISTOR	R7135		NRVA02D-680X	CMF RESISTOR	68Ω,1/10W
Q7116		2SA1576A/QR/-X	TRANSISTOR	R7136		NRSA02J-750X	MG RESISTOR	75Ω,1/10W
		or 2SB1218A/QR/-X	TRANSISTOR	R7137		NRSA02J-0R0X	MG RESISTOR	0Ω,1/10W
		or 2PA1576/R/-X	TRANSISTOR	R7138		NRSA02J-101X	MG RESISTOR	100Ω,1/10W
Q7117		DTC114EU	TRANSISTOR	R7139		NRSA02J-101X	MG RESISTOR	100Ω,1/10W
		or PDTC114EU	TRANSISTOR	R7140		NRSA02J-101X	MG RESISTOR	100Ω,1/10W
		or RN1302	TRANSISTOR	R7141		NRSA02J-101X	MG RESISTOR	100Ω,1/10W
		or UN5211	TRANSISTOR	R7142		NRSA02J-101X	MG RESISTOR	100Ω,1/10W
Q7118		2SC4081/QRS/-X	TRANSISTOR	R7143		NRSA02J-101X	MG RESISTOR	100Ω,1/10W
		or 2PC4081/R/-X	TRANSISTOR	R7144		NRSA02J-101X	MG RESISTOR	100Ω,1/10W
		or 2SD1819A/QRS/-X	TRANSISTOR	R7145		NRSA02J-101X	MG RESISTOR	100Ω,1/10W
Q7119		2SC4081/QRS/-X	TRANSISTOR	R7146		NRSA02J-101X	MG RESISTOR	100Ω,1/10W
		or 2SD1819A/QRS/-X	TRANSISTOR	R7147		NRSA02J-101X	MG RESISTOR	100Ω,1/10W
		or 2PC4081/R/-X	TRANSISTOR	R7148		NRSA02J-101X	MG RESISTOR	100Ω,1/10W
Q7120		2SC4081/QRS/-X	TRANSISTOR	R7149		NRSA02J-682X	MG RESISTOR	6.8kΩ,1/10W
		or 2PC4081/R/-X	TRANSISTOR	R7150		NRSA02J-102X	MG RESISTOR	1kΩ,1/10W
		or 2SD1819A/QRS/-X	TRANSISTOR	R7151		NRSA02J-471X	MG RESISTOR	470Ω,1/10W
Q7121		2SA1576A/QR/-X	TRANSISTOR	R7152		NRSA02J-272X	MG RESISTOR	2.7kΩ,1/10W
		or 2SB1218A/QR/-X	TRANSISTOR	R7153		NRSA02J-472X	MG RESISTOR	4.7kΩ,1/10W
		or 2PA1576/R/-X	TRANSISTOR	R7154		NRSA02J-0R0X	MG RESISTOR	0Ω,1/10W
Q7122		2SC4081/QRS/-X	TRANSISTOR	R7155		NRSA02J-332X	MG RESISTOR	3.3kΩ,1/10W
		or 2PC4081/R/-X	TRANSISTOR	R7156		NRSA02J-750X	MG RESISTOR	75Ω,1/10W
		or 2SD1819A/QRS/-X	TRANSISTOR	R7157		NRSA02J-750X	MG RESISTOR	75Ω,1/10W
Q7123		2SA1576A/QR/-X	TRANSISTOR	R7158		NRSA02J-102X	MG RESISTOR	1kΩ,1/10W
		or 2SB1218A/QR/-X	TRANSISTOR	R7159		NRSA02J-750X	MG RESISTOR	75Ω,1/10W
		or 2PA1576/R/-X	TRANSISTOR	R7160		NRSA02J-101X	MG RESISTOR	100Ω,1/10W
Q7124		2SA1576A/QR/-X	TRANSISTOR	R7161		NRSA02J-101X	MG RESISTOR	100Ω,1/10W
		or 2PA1576/R/-X	TRANSISTOR	R7162		NRSA02J-101X	MG RESISTOR	100Ω,1/10W
		or 2SB1218A/QR/-X	TRANSISTOR	R7163		NRSA02J-101X	MG RESISTOR	100Ω,1/10W
D7101		DA204U	DIODE	R7164		NRSA02J-101X	MG RESISTOR	100Ω,1/10W
R7102		NRSA02J-102X	MG RESISTOR	1kΩ,1/10W	R7165	NRSA02J-101X	MG RESISTOR	100Ω,1/10W
R7104		NRVA02D-561X	CMF RESISTOR	560Ω,1/10W	R7167	NRSA02J-472X	MG RESISTOR	4.7kΩ,1/10W
R7105		NRVA02D-471X	CMF RESISTOR	470Ω,1/10W	R7168	NRSA02J-271X	MG RESISTOR	270Ω,1/10W
R7107		NRSA02J-103X	MG RESISTOR	10kΩ,1/10W	R7169	QRE141J-682Y	RESISTOR	6.8kΩ,1/4W
R7108		NRSA02J-821X	MG RESISTOR	820Ω,1/10W	R7170	NRSA02J-472X	MG RESISTOR	4.7kΩ,1/10W
R7109		NRSA02J-102X	MG RESISTOR	1kΩ,1/10W	R7171	NRSA02J-333X	MG RESISTOR	33kΩ,1/10W
R7110		NRSA02J-392X	MG RESISTOR	3.9kΩ,1/10W	R7172	NRSA02J-103X	MG RESISTOR	10kΩ,1/10W
R7111		NRSA02J-472X	MG RESISTOR	4.7kΩ,1/10W	R7173	NRSA02J-3R3X	MG RESISTOR	3.3kΩ,1/10W

#	△ REF No.	PART No.	PART NAME, DESCRIPTION	
C7101		NCB21HK-103X	CAPACITOR	0.01μF,50V
C7102		QEKJ0JM-476	E CAPACITOR	47μF,6.3V
C7103		QEKJ1CM-476	E CAPACITOR	47μF,16V
C7104		NCB21HK-103X	CAPACITOR	0.01μF,50V
C7105		NCB21HK-103X	CAPACITOR	0.01μF,50V
C7106		NCB21EK-104X	CAPACITOR	0.1μF,25V
C7107		NCB21HK-103X	CAPACITOR	0.01μF,50V
C7108		NCB21HK-103X	CAPACITOR	0.01μF,50V
C7109		QEKJ1CM-106	E CAPACITOR	10μF,16V
C7110		NDC21HJ-101X	CAPACITOR	100pF,50V
C7112		QEKJ1CM-106	E CAPACITOR	10μF,16V
C7113		NCB21HK-103X	CAPACITOR	0.01μF,50V
C7114		NDC21HJ-101X	CAPACITOR	100pF,50V
C7115		QEKJ1HM-105	E CAPACITOR	1μF,50V
C7116		QEKJ0JM-337	E CAPACITOR	330μF,6.3V
C7117		QEKJ0JM-337	E CAPACITOR	330μF,6.3V
C7118		QEKJ0JM-107	E CAPACITOR	100μF,6.3V
C7119		NCB21HK-103X	CAPACITOR	0.01μF,50V
C7120		QEPF1HM-474	NP E CAPACITOR	0.47μF,50V
C7121		NDC21HJ-270X	CAPACITOR	27pF,50V
C7122		NCB21HK-103X	CAPACITOR	0.01μF,50V
C7123		NCB21HK-103X	CAPACITOR	0.01μF,50V
C7124		NCB21HK-103X	CAPACITOR	0.01μF,50V
C7125		QEKJ1CM-476	E CAPACITOR	47μF,16V
C7126		NCB21HK-103X	CAPACITOR	0.01μF,50V
C7127		NDC21HJ-330X	CAPACITOR	33pF,50V
C7129		QEKJ0JM-337	E CAPACITOR	330μF,6.3V
C7130		NCB21HK-681X	CAPACITOR	680pF,50V
C7131		NCB21HK-102X	CAPACITOR	0.001μF,50V
C7132		NCB21HK-681X	CAPACITOR	680pF,50V
C7133		NCB21HK-102X	CAPACITOR	0.001μF,50V
C7138		QEKJ1CM-107	E CAPACITOR	100μF,16V
C7139		QEKJ1CM-107	E CAPACITOR	100μF,16V
C7140		NCB21EK-104X	CAPACITOR	0.1μF,25V
C7142		NCB21EK-104X	CAPACITOR	0.1μF,25V
C7143		NCB21EK-104X	CAPACITOR	0.1μF,25V
C7145		NCB21EK-104X	CAPACITOR	0.1μF,25V
C7146		NDC21HJ-330X	CAPACITOR	33pF,50V
C7147		NCB21EK-104X	CAPACITOR	0.1μF,25V
C7148		NCB21EK-104X	CAPACITOR	0.1μF,25V
C7150		NCB21HK-103X	CAPACITOR	0.01μF,50V
C7151		QEKJ1CM-106	E CAPACITOR	10μF,16V
C7152		QEKJ1CM-106	E CAPACITOR	10μF,16V
C7153		QEKJ1CM-106	E CAPACITOR	10μF,16V
C7154		NCB21CK-105X	CAPACITOR	1μF,16V
C7155		QEKJ0JM-476	E CAPACITOR	47μF,6.3V
C7156		NCB21HK-681X	CAPACITOR	680pF,50V
C7158		NCB21HK-681X	CAPACITOR	680pF,50V
C7159		NCB21HK-102X	CAPACITOR	0.001μF,50V
C7166		NCB21HK-102X	CAPACITOR	0.001μF,50V
C7167		NCB21HK-102X	CAPACITOR	0.001μF,50V
C7168		QEKJ0JM-476	E CAPACITOR	47μF,6.3V
C7169		NCB21HK-103X	CAPACITOR	0.01μF,50V
C7170		NCB21HK-102X	CAPACITOR	0.001μF,50V
L7101		QQL29BJ-4R7Z	COIL	4.7μH
L7102		QQL29BJ-4R7Z	COIL	4.7μH
L7103		QQL29BJ-4R7Z	COIL	4.7μH
L7106		QQL071J-4R7Y	COIL	4.7μH
L7107		QQL071J-4R7Y	COIL	4.7μH
L7108		QQL071J-4R7Y	COIL	4.7μH
L7109		QQL071J-4R7Y	COIL	4.7μH

#	△ REF No.	PART No.	PART NAME, DESCRIPTION	
L7113		QQL071J-1R0Y	COIL	1μH
L7115		QQL29BK-1R0Z	COIL	1μH
L7117		QQL071J-4R7Y	COIL	4.7μH
L7118		QQL071J-4R7Y	COIL	4.7μH
L7119		QQL071J-4R7Y	COIL	4.7μH
L7120		QQL071J-4R7Y	COIL	4.7μH
L7121		QQL071J-4R7Y	COIL	4.7μH
L7122		QQL071J-4R7Y	COIL	4.7μH
ET1		QNZ0431-001Z	EARTH TERMINAL	
J7101		QND0009-001	S JACK,S_OUT	
J7102		QNZ0418-001	21P CONNECTOR,AV1	
J7103		PU60659	MINI JACK,SAT_CTL	
J7104		QNZ0418-001	21P CONNECTOR,AV2	
J7105		QNN0295-002	PIN JACK,A.OUT(L/R)	
CN7101		QGB2024J1-15S	CONNECTOR,(1-15)MAIN	
CN7102		QGB2024J1-05S	CONNECTOR,(1-5)MAIN	
CN7103		QGB2024J1-14S	CONNECTOR,(1-14)MAIN	
CN7104		QGB2024J1-11S	CONNECTOR,(1-11)MAIN	

AUDIO CONTROL HEAD BOARD ASSEMBLY <12>

PW1	LPA10010-01A1	A/C HEAD BOARD ASSY
CN1	QGF1208F1-07	FPC CONNECTOR

DEMOD BOARD ASSEMBLY <14>

PW1	LPA10094-01C	DEMOD BOARD ASSY	
IC6701	MSP34VCDT	IC	
	or MSP3417D	IC	
Q6701	2SC3936/BC/-X	TRANSISTOR	
D6701	1SS133	DIODE	
	or 1N4148M	DIODE	
R6701	NRSA02J-392X	MG RESISTOR	3.9kΩ, 1/10W
R6702	NRSA02J-682X	MG RESISTOR	6.8kΩ, 1/10W
R6703	NRSA02J-470X	MG RESISTOR	47Ω, 1/10W
R6704	NRSA02J-102X	MG RESISTOR	1kΩ, 1/10W
R6705	NRSA02J-271X	MG RESISTOR	270Ω, 1/10W
R6706	NRSA02J-151X	MG RESISTOR	150Ω, 1/10W
R6707	NRSA02J-220X	MG RESISTOR	22Ω, 1/10W
R6708	NRSA02J-101X	MG RESISTOR	100Ω, 1/10W
R6709	NRSA02J-101X	MG RESISTOR	100Ω, 1/10W
R6710	NRSA02J-100X	MG RESISTOR	10Ω, 1/10W
R6711	NRSA02J-684X	MG RESISTOR	680kΩ, 1/10W
R6712	NRSA02J-102X	MG RESISTOR	1kΩ, 1/10W
R6714	NRSA02J-102X	MG RESISTOR	1kΩ, 1/10W
R6716	NRSA02J-470X	MG RESISTOR	47Ω, 1/10W
R6719	QRE141J-103Y	RESISTOR	10kΩ, 1/4W
R6720	NRSA02J-562X	MG RESISTOR	5.6kΩ, 1/10W
R6721	NRSA02J-562X	MG RESISTOR	5.6kΩ, 1/10W
C6701	NCB21HK-103X	CAPACITOR	0.01μF,50V

#	△ REF No.	PART No.	PART NAME, DESCRIPTION
C6702		NCB21HK-222X	CAPACITOR 0.0022μF,50V
C6704		NCB21HK-103X	CAPACITOR 0.01μF,50V
C6705		NCB21HK-102X	CAPACITOR 0.001μF,50V
C6707		NDC21HJ-470X	CAPACITOR 47pF,50V
C6708		NDC21HJ-8R0X	CAPACITOR 8pF,50V
C6709		NDC21HJ-1R0X	CAPACITOR 1pF,50V
C6713		NCF21CZ-224X	CAPACITOR 0.22μF,16V
C6714		NCB21HK-682X	CAPACITOR 0.0068μF,50V
C6715		QEKJ1HM-225	E CAPACITOR 2.2μF,50V
C6716		NCB21HK-682X	CAPACITOR 0.0068μF,50V
C6717		QEKJ1HM-225	E CAPACITOR 2.2μF,50V
C6719		QEKJ1CM-106	E CAPACITOR 10μF,16V
C6720		QEKJ1CM-106	E CAPACITOR 10μF,16V
C6721		NCB21HK-103X	CAPACITOR 0.01μF,50V
C6723		NCB21HK-103X	CAPACITOR 0.01μF,50V
C6724		QEKJ1HM-225	E CAPACITOR 2.2μF,50V
L6701		QQL231J-1R0Y	COIL 1μH
L6702		QQL231J-3R3Y	COIL 3.3μH
X6701		QAX0443-001	CRYSTAL RESONATOR
K6701		NQR0200-003X	FERRITE BEAD
K6702		NQR0200-003X	FERRITE BEAD
K6703		NQR0200-003X	FERRITE BEAD
K6704		NQR0200-003X	FERRITE BEAD
K6705		NQR0200-003X	FERRITE BEAD
K6706		NQR0200-003X	FERRITE BEAD
K6707		NQR0200-003X	FERRITE BEAD
BK1		LP40077-001A	BRACKET(BOARD)
CN6701		QGG2502K1-10	HEADER PIN

#	△ REF No.	PART No.	PART NAME, DESCRIPTION
R534		NRSA02J-101X	MG RESISTOR 100Ω,1/10W
R535		NRSA02J-101X	MG RESISTOR 100Ω,1/10W
R536		NRSA02J-101X	MG RESISTOR 100Ω,1/10W
C501		QEKJ1HM-225	E CAPACITOR 2.2μF,50V
C502		QEKJ1EM-475	E CAPACITOR 4.7μF,25V
C503		QEKJ1HM-225	E CAPACITOR 2.2μF,50V
C504		NCB21EK-104X	CAPACITOR 0.1μF,25V
C505		QEKJ1EM-475	E CAPACITOR 4.7μF,25V
C506		NCB21EK-104X	CAPACITOR 0.1μF,25V
C507		QEKJ0JM-227	E CAPACITOR 220μF,6.3V
C508		QEPF1HM-474	NP E CAPACITOR 0.47μF,50V
C509		QEKJ1CM-106	E CAPACITOR 10μF,16V
C510		QEKJ0JM-227	E CAPACITOR 220μF,6.3V
C511		NCB21HK-103X	CAPACITOR 0.01μF,50V
C512		NCB21HK-103X	CAPACITOR 0.01μF,50V
C513		QEKJ1EM-475	E CAPACITOR 4.7μF,25V
C514		NCB21HK-103X	CAPACITOR 0.01μF,50V
C515		NCB21HK-103X	CAPACITOR 0.01μF,50V
C516		NCB21HK-103X	CAPACITOR 0.01μF,50V
C517		NCF21EZ-104X	CAPACITOR 0.1μF,25V
C518		NCB21EK-104X	CAPACITOR 0.1μF,25V
C519		QEKJ1HM-225	E CAPACITOR 2.2μF,50V
C520		QERF1EM-475	E CAPACITOR 4.7μF,25V
C521		QEKJ1EM-475	E CAPACITOR 4.7μF,25V
C522		QEKJ1HM-225	E CAPACITOR 2.2μF,50V
C523		QEKJ1HM-225	E CAPACITOR 2.2μF,50V
C524		NDC21HG-301X	CAPACITOR 300pF,50V
C525		NDC21HG-301X	CAPACITOR 300pF,50V
C526		NDC21HJ-101X	CAPACITOR 100pF,50V
C527		NDC21HJ-181X	CAPACITOR 180pF,50V
C528		NDC21HG-271X	CAPACITOR 270pF,50V
C529		NDC21HG-820X	CAPACITOR 82pF,50V
C530		NDC21HG-221X	CAPACITOR 220pF,50V
C531		NDC21HG-301X	CAPACITOR 300pF,50V
C532		NDC21HG-301X	CAPACITOR 300pF,50V
C533		NCB21HK-103X	CAPACITOR 0.01μF,50V
C534		QETJ0JM-477	E CAPACITOR 470μF,6.3V
C535		NCB21HK-103X	CAPACITOR 0.01μF,50V
C551		QEKJ1HM-105	E CAPACITOR 1μF,50V
C552		NCB21HK-103X	CAPACITOR 0.01μF,50V
C553		NCB21HK-103X	CAPACITOR 0.01μF,50V
C554		QEKJ1HM-105	E CAPACITOR 1μF,50V
C555		NCB21HK-103X	CAPACITOR 0.01μF,50V
C556		NCB21HK-103X	CAPACITOR 0.01μF,50V
C557		QEKJ1HM-105	E CAPACITOR 1μF,50V
C558		NCB21HK-103X	CAPACITOR 0.01μF,50V
C559		NCB21HK-103X	CAPACITOR 0.01μF,50V
C560		QEKJ1HM-105	E CAPACITOR 1μF,50V
C561		QEKJ1HM-105	E CAPACITOR 1μF,50V
C563		NCB21HK-103X	CAPACITOR 0.01μF,50V
C568		NDC21HJ-680X	CAPACITOR 68pF,50V
C569		NDC21HJ-680X	CAPACITOR 68pF,50V
C570		NDC21HJ-680X	CAPACITOR 68pF,50V
C571		NDC21HJ-680X	CAPACITOR 68pF,50V
C572		NDC21HJ-680X	CAPACITOR 68pF,50V
C573		NDC21HJ-680X	CAPACITOR 68pF,50V
L501		QQL29BJ-100Z	COIL 10μH
L503		QQL29BJ-100Z	COIL 10μH
L504		QQL29BJ-100Z	COIL 10μH
BK1		LP40077-001A	BRACKET(BOARD)
CN511		QGG2503K2-30	HEADER PIN,(1-30)MAIN

S-SUB BOARD ASSEMBLY <15>

PW1	LPA10103-01A	S-SUB BOARD ASSY
IC501	JCP8018	IC
	or JCP8038	IC
IC502	VC2076DP	IC
R503	NRSA02J-221X	MG RESISTOR 220Ω,1/10W
R504	NRSA02J-332X	MG RESISTOR 3.3kΩ,1/10W
R505	NRSA02J-392X	MG RESISTOR 3.9kΩ,1/10W
R506	NRSA02J-391X	MG RESISTOR 390Ω,1/10W
R507	NRSA02J-122X	MG RESISTOR 1.2kΩ,1/10W
R508	NRSA02J-151X	MG RESISTOR 150Ω,1/10W
R509	NRSA02J-162X	MG RESISTOR 1.6kΩ,1/10W
R510	NRVA02D-102X	CMF RESISTOR 1kΩ,1/10W
R511	NRVA02D-471X	CMF RESISTOR 470Ω,1/10W
R512	NRVA02D-102X	CMF RESISTOR 1kΩ,1/10W
R513	NRVA02D-152X	CMF RESISTOR 1.5kΩ,1/10W
R514	NRVA02D-332X	CMF RESISTOR 3.3kΩ,1/10W
R515	NRVA02D-332X	CMF RESISTOR 3.3kΩ,1/10W
R516	NRSA02J-0R0X	MG RESISTOR 0Ω,1/10W
R517	NRSA02J-0R0X	MG RESISTOR 0Ω,1/10W
R525	NRSA02J-125X	MG RESISTOR 1.2MΩ,1/10W
R527	NRSA02J-332X	MG RESISTOR 3.3kΩ,1/10W
R531	NRSA02J-101X	MG RESISTOR 100Ω,1/10W
R532	NRSA02J-101X	MG RESISTOR 100Ω,1/10W
R533	NRSA02J-101X	MG RESISTOR 100Ω,1/10W

#	REF No.	PART No.	PART NAME, DESCRIPTION
	CN512	QGF1209F2-14	FFC/FPC CONNE,(1-14)TERMINAL

DV PRE/REC MDA BOARD ASSEMBLY <16>

PW2	LPA10117-01C2	DV PRE/REC MDA BOARD ASSY	
IC5001	JCY0132	IC	
IC5002	TC7SH00FU	IC(DIGITAL)	
IC5501	BA6865KV	IC	
IC5502	BA6417F	IC	
Q5501	DTA114EU	TRANSISTOR	
Q5502	2SB1302/ST/-X	TRANSISTOR	
Q5503	2SB1302/ST/-X	TRANSISTOR	
Q5504	2SB1302/ST/-X	TRANSISTOR	
Q5505	2SC4097/QR/-X	TRANSISTOR	
D5502	DAP222	DIODE	
D5503	DAP222	DIODE	
D5504	DAP222	DIODE	
R5003	NRSA63J-0R0X	MG RESISTOR	0Ω, 1/16W
R5004	NRSA63J-471X	MG RESISTOR	470Ω, 1/16W
R5007	NRSA63J-104X	MG RESISTOR	100kΩ, 1/16W
R5014	NRSA63J-102X	MG RESISTOR	1kΩ, 1/16W
R5018	NRSA63J-241X	MG RESISTOR	240Ω, 1/16W
R5019	NRSA63J-0R0X	MG RESISTOR	0Ω, 1/16W
R5020	NRSA63J-0R0X	MG RESISTOR	0Ω, 1/16W
R5021	NRSA63J-241X	MG RESISTOR	240Ω, 1/16W
R5023	NRSA63J-241X	MG RESISTOR	240Ω, 1/16W
R5026	NRSA63J-241X	MG RESISTOR	240Ω, 1/16W
R5035	NRSA63J-223X	MG RESISTOR	22kΩ, 1/16W
R5057	NRSA63J-223X	MG RESISTOR	22kΩ, 1/16W
R5058	NRSA63J-392X	MG RESISTOR	3.9kΩ, 1/16W
R5101	NRSA63J-0R0X	MG RESISTOR	0Ω, 1/16W
R5102	NRSA63J-0R0X	MG RESISTOR	0Ω, 1/16W
R5111	NRSA63J-0R0X	MG RESISTOR	0Ω, 1/16W
R5112	NRSA63J-0R0X	MG RESISTOR	0Ω, 1/16W
R5114	NRSA63J-0R0X	MG RESISTOR	0Ω, 1/16W
R5115	NRSA63J-0R0X	MG RESISTOR	0Ω, 1/16W
R5117	NRSA63J-0R0X	MG RESISTOR	0Ω, 1/16W
R5118	NRSA63J-0R0X	MG RESISTOR	0Ω, 1/16W
R5119	NRSA63J-0R0X	MG RESISTOR	0Ω, 1/16W
R5121	NRSA63J-0R0X	MG RESISTOR	0Ω, 1/16W
R5501	NRSA63J-681X	MG RESISTOR	680Ω, 1/16W
R5502	NRSA63J-124X	MG RESISTOR	120kΩ, 1/16W
R5503	NRSA63J-472X	MG RESISTOR	4.7kΩ, 1/16W
R5504	NRSA63J-104X	MG RESISTOR	100kΩ, 1/16W
R5505	NRSA63J-223X	MG RESISTOR	22kΩ, 1/16W
R5506	NRV142F-R22X	CMF RESISTOR	0.22Ω, 1/4W
R5509	NRS12BK-R68W	MG RESISTOR	0.68Ω, 1/2W
R5510	NRSA63J-102X	MG RESISTOR	1kΩ, 1/16W
R5511	NRSA63J-102X	MG RESISTOR	1kΩ, 1/16W
R5512	NRSA63J-274X	MG RESISTOR	270kΩ, 1/16W
R5513	NRSA63J-272X	MG RESISTOR	2.7kΩ, 1/16W
R5514	NRSA63J-154X	MG RESISTOR	150kΩ, 1/16W
R5515	NRSA63J-474X	MG RESISTOR	470kΩ, 1/16W
R5516	NRSA63J-202X	MG RESISTOR	2kΩ, 1/16W
R5517	NRSA63J-473X	MG RESISTOR	47kΩ, 1/16W
R5518	NRSA63J-203X	MG RESISTOR	20kΩ, 1/16W
R5519	NRSA63J-393X	MG RESISTOR	39kΩ, 1/16W
R5520	NRSA63J-103X	MG RESISTOR	10kΩ, 1/16W
R5522	NRSA63J-103X	MG RESISTOR	10kΩ, 1/16W
R5523	NRSA63J-103X	MG RESISTOR	10kΩ, 1/16W

#	REF No.	PART No.	PART NAME, DESCRIPTION
R5525		NRSA63J-511X	MG RESISTOR 510Ω, 1/16W
R5526		NRSA63J-511X	MG RESISTOR 510Ω, 1/16W
R5527		NRSA63J-511X	MG RESISTOR 510Ω, 1/16W
R5528		NRSA63J-511X	MG RESISTOR 510Ω, 1/16W
R5529		NRSA63J-105X	MG RESISTOR 1MΩ, 1/16W
R5530		NRSA63J-0R0X	MG RESISTOR 0Ω, 1/16W
R5531		NRSA63J-0R0X	MG RESISTOR 0Ω, 1/16W
R5533		NRSA63J-0R0X	MG RESISTOR 0Ω, 1/16W
R5534		NRSA63J-0R0X	MG RESISTOR 0Ω, 1/16W
R5536		NRSA63J-823X	MG RESISTOR 82kΩ, 1/16W
R5537		NRSA63J-103X	MG RESISTOR 10kΩ, 1/16W
R5543		NRSA63J-333X	MG RESISTOR 33kΩ, 1/16W
R5544		NRSA63J-333X	MG RESISTOR 33kΩ, 1/16W
R5545		NRSA63J-333X	MG RESISTOR 33kΩ, 1/16W
R5546		NRSA63J-393X	MG RESISTOR 39kΩ, 1/16W
R5547		NRSA02J-1R8X	MG RESISTOR 1.8Ω, 1/10W
R5548		NRSA63J-333X	MG RESISTOR 33kΩ, 1/16W
R5549		NRSA63J-102X	MG RESISTOR 1kΩ, 1/16W
R5550		NRSA63J-103X	MG RESISTOR 10kΩ, 1/16W
R5551		NRSA63J-0R0X	MG RESISTOR 0Ω, 1/16W
R5552		NRSA63J-0R0X	MG RESISTOR 0Ω, 1/16W
R5553		NRSA63J-0R0X	MG RESISTOR 0Ω, 1/16W
R5554		NRSA63J-0R0X	MG RESISTOR 0Ω, 1/16W
R5555		NRSA63J-0R0X	MG RESISTOR 0Ω, 1/16W
R5556		NRSA63J-0R0X	MG RESISTOR 0Ω, 1/16W
R5557		NRSA63J-0R0X	MG RESISTOR 0Ω, 1/16W
R5558		NRSA63J-0R0X	MG RESISTOR 0Ω, 1/16W
R5559		NRSA63J-0R0X	MG RESISTOR 0Ω, 1/16W
R5560		NRSA63J-0R0X	MG RESISTOR 0Ω, 1/16W
R5561		NRSA63J-0R0X	MG RESISTOR 0Ω, 1/16W
C5002		NCB31CK-104X	CAPACITOR 0.1μF, 16V
C5003		NCB31CK-104X	CAPACITOR 0.1μF, 16V
C5004		NCB31CK-223X	CAPACITOR 0.022μF, 16V
C5005		NCB31CK-473X	CAPACITOR 0.047μF, 16V
C5006		NCB31CK-104X	CAPACITOR 0.1μF, 16V
C5007		NCB31CK-104X	CAPACITOR 0.1μF, 16V
C5008		NCB31CK-104X	CAPACITOR 0.1μF, 16V
C5009		NEA70JM-226X	E CAPACITOR 22μF, 6.3V
C5010		NCB31CK-104X	CAPACITOR 0.1μF, 16V
C5011		NCB31CK-104X	CAPACITOR 0.1μF, 16V
C5012		NEA70JM-226X	E CAPACITOR 22μF, 6.3V
C5034		NCB31CK-104X	CAPACITOR 0.1μF, 16V
C5035		NCB31CK-104X	CAPACITOR 0.1μF, 16V
C5036		NCB31CK-104X	CAPACITOR 0.1μF, 16V
C5037		NEA70JM-226X	E CAPACITOR 22μF, 6.3V
C5039		NCB31CK-104X	CAPACITOR 0.1μF, 16V
C5045		NCB31CK-473X	CAPACITOR 0.047μF, 16V
C5046		NCB31CK-473X	CAPACITOR 0.047μF, 16V
C5047		NCB31CK-473X	CAPACITOR 0.047μF, 16V
C5048		NEA70JM-226X	E CAPACITOR 22μF, 6.3V
C5049		NCB31CK-104X	CAPACITOR 0.1μF, 16V
C5050		NCB31CK-104X	CAPACITOR 0.1μF, 16V
C5051		NCB31CK-104X	CAPACITOR 0.1μF, 16V
C5052		NDC31HJ-102X	CAPACITOR 0.001μF, 50V
C5053		NCB31CK-104X	CAPACITOR 0.1μF, 16V
C5055		NCB31CK-104X	CAPACITOR 0.1μF, 16V
C5056		NCB31CK-104X	CAPACITOR 0.1μF, 16V
C5058		NCB20JM-475X	CAPACITOR 4.7μF, 6.3V
C5060		NCB31CK-104X	CAPACITOR 0.1μF, 16V
C5062		NCB31CK-104X	CAPACITOR 0.1μF, 16V
C5063		NCB20JM-475X	CAPACITOR 4.7μF, 6.3V

#	△ REF No.	PART No.	PART NAME, DESCRIPTION
C5064		NCB31CK-104X	CAPACITOR 0.1μF,16V
C5065		NCB31CK-104X	CAPACITOR 0.1μF,16V
C5066		NEA70JM-226X	E CAPACITOR 22μF,6.3V
C5101		QCBB1HJ-151Y	CAPACITOR 150pF,50V
C5501		NCB31EK-103X	CAPACITOR 0.01μF,25V
C5502		NEA71CM-106X	E CAPACITOR 10μF,16V
C5503		NBE21AM-106X	T CAPACITOR 10μF,10V
C5505		NCB31CK-104X	CAPACITOR 0.1μF,16V
C5506		NCB31HK-152X	CAPACITOR 0.0015μF,50V
C5507		NCB31EK-103X	CAPACITOR 0.01μF,25V
C5508		NCB31EK-103X	CAPACITOR 0.01μF,25V
C5509		NCB31EK-103X	CAPACITOR 0.01μF,25V
C5510		NCB31EK-103X	CAPACITOR 0.01μF,25V
C5511		NCB31EK-103X	CAPACITOR 0.01μF,25V
C5512		NCB31EK-103X	CAPACITOR 0.01μF,25V
C5513		NCB31EK-103X	CAPACITOR 0.01μF,25V
C5514		NEA71CM-106X	E CAPACITOR 10μF,16V
C5515		NCB31CK-104X	CAPACITOR 0.1μF,16V
C5516		NCB31CK-104X	CAPACITOR 0.1μF,16V
C5517		NCB31CK-104X	CAPACITOR 0.1μF,16V
C5518		NCB31EK-223X	CAPACITOR 0.022μF,25V
C5519		NCB31EK-223X	CAPACITOR 0.022μF,25V
C5520		NCB31EK-223X	CAPACITOR 0.022μF,25V
C5521		NCF21CZ-105X	CAPACITOR 1μF,16V
C5522		NCB31CK-104X	CAPACITOR 0.1μF,16V
C5523		NCB31CK-104X	CAPACITOR 0.1μF,16V
C5525		NCB31CK-104X	CAPACITOR 0.1μF,16V
C5526		NCB31EK-223X	CAPACITOR 0.022μF,25V
C5527		NCB31CK-473X	CAPACITOR 0.047μF,16V
C5528		NCB31CK-104X	CAPACITOR 0.1μF,16V
C5531		NCB31CK-104X	CAPACITOR 0.1μF,16V
C5532		NEA70JM-226X	E CAPACITOR 22μF,6.3V
C5535		NEA71CM-106X	E CAPACITOR 10μF,16V
C5536		NEA71CM-106X	E CAPACITOR 10μF,16V
C5537		NEA70JM-226X	E CAPACITOR 22μF,6.3V
C5539		NCB31EK-103X	CAPACITOR 0.01μF,25V
C5540		NCB31EK-103X	CAPACITOR 0.01μF,25V
C5541		NCB31CK-104X	CAPACITOR 0.1μF,16V
C5544		NCB31CK-104X	CAPACITOR 0.1μF,16V
C5546		NCB31CK-104X	CAPACITOR 0.1μF,16V
C5547		NCB31CK-104X	CAPACITOR 0.1μF,16V
C5548		NCF21CZ-224X	CAPACITOR 0.22μF,16V
C5549		NCF21CZ-224X	CAPACITOR 0.22μF,16V
C5550		NCF21CZ-224X	CAPACITOR 0.22μF,16V
C5551		NCB31EK-103X	CAPACITOR 0.01μF,25V
C5552		NEA71CM-106X	E CAPACITOR 10μF,16V
L5001		NQL144K-100X	COIL 10μH
L5002		NQL144K-100X	COIL 10μH
L5003		NQL144K-100X	COIL 10μH
L5004		NQL144K-100X	COIL 10μH
L5005		NQL144K-100X	COIL 10μH
L5501		NRSA02J-0R0X	MG RESISTOR 0Ω,1/10W
LC5501		PELN1148-223X	NOISE FILTER
LC5502		PELN1148-223X	NOISE FILTER
LC5503		PELN1148-223X	NOISE FILTER
LC5505		PELN1148-223X	NOISE FILTER
SD1		LP30467-001A	SHIELD COVER
QA5501		BA6254FS	TR ARRAY
CN5001		QGF0501F1-10X	FPC CONNECTOR,(1-10)DV VIDEO HEAD
CN5002		QGF0503F2-26X	FFC/FPC CONNECTOR,(1-26)DV MAIN
CN5501		QGA2001F2-05V	CONNECTOR,(1-5)REG

#	△ REF No.	PART No.	PART NAME, DESCRIPTION
CN5502		QGA1201C2-02X	CONNECTOR,(1-2)LOADING MOTOR DV
CN5503		QGF0504C1-11X	FPC CONNECTOR,(1-11)DV DRUM MOTOR
CN5504		QGF0501F1-18X	FPC CONNECTOR,(1-18)DV CAPSTAN MOTOR
CN5505		QGA1201C2-04X	CONNECTOR,(1-4)DV ENCODER
CN5506		QGF0503F2-20X	FFC/FPC CONNECTOR,(1-20)DV MAIN
CN5507		QGA1201C2-04X	CONNECTOR,(1-4)DV HOUSING MOTOR

ON SCREEN BOARD ASSEMBLY <17>

PW1	LPA10127-01B	ON SCREEN BOARD ASSY
IC851	LC74775-9750	IC
IC852	MM1115XF	IC
Q853	2SA1576A/QR/-X	TRANSISTOR
	or 2PA1576/R/-X	TRANSISTOR
	or 2SB1218A/QR/-X	TRANSISTOR
Q854	2SC4081/QRS/-X	TRANSISTOR
	or 2SD1819A/QRS/-X	TRANSISTOR
	or 2PC4081/R/-X	TRANSISTOR
Q855	2SC4081/QRS/-X	TRANSISTOR
	or 2PC4081/R/-X	TRANSISTOR
	or 2SD1819A/QRS/-X	TRANSISTOR
Q857	2SA1576A/QR/-X	TRANSISTOR
	or 2PA1576/R/-X	TRANSISTOR
	or 2SB1218A/QR/-X	TRANSISTOR
Q858	2SC4081/QRS/-X	TRANSISTOR
	or 2SD1819A/QRS/-X	TRANSISTOR
	or 2PC4081/R/-X	TRANSISTOR
Q859	2SA1576A/QR/-X	TRANSISTOR
	or 2PA1576/R/-X	TRANSISTOR
	or 2SB1218A/QR/-X	TRANSISTOR
Q860	DTC114EU	TRANSISTOR
	or PDC114EU	TRANSISTOR
	or RN1302	TRANSISTOR
	or UN5211	TRANSISTOR
D852	QRE141J-152Y	RESISTOR 1.5kΩ,1/4W
D853	QRE141J-101Y	RESISTOR 100Ω,1/4W
D854	QRE141J-101Y	RESISTOR 100Ω,1/4W
D855	DA204U	DIODE
R853	NRSA02J-103X	MG RESISTOR 10kΩ,1/10W
R857	NRSA02J-0R0X	MG RESISTOR 0Ω,1/10W
R860	NRSA02J-0R0X	MG RESISTOR 0Ω,1/10W
R861	NRSA02J-102X	MG RESISTOR 1kΩ,1/10W
R862	NRSA02J-102X	MG RESISTOR 1kΩ,1/10W
R863	NRSA02J-102X	MG RESISTOR 1kΩ,1/10W
R864	NRSA02J-182X	MG RESISTOR 1.8kΩ,1/10W
R865	NRSA02J-681X	MG RESISTOR 680Ω,1/10W
R866	NRSA02J-681X	MG RESISTOR 680Ω,1/10W
R867	NRSA02J-182X	MG RESISTOR 1.8kΩ,1/10W
R870	NRSA02J-103X	MG RESISTOR 10kΩ,1/10W
R872	NRSA02J-103X	MG RESISTOR 10kΩ,1/10W
R873	NRSA02J-0R0X	MG RESISTOR 0Ω,1/10W
R874	NRSA02J-0R0X	MG RESISTOR 0Ω,1/10W
R876	NRSA02J-512X	MG RESISTOR 5.1kΩ,1/10W
R877	NRSA02J-182X	MG RESISTOR 1.8kΩ,1/10W
R878	NRSA02J-562X	MG RESISTOR 5.6kΩ,1/10W
R879	NRSA02J-332X	MG RESISTOR 3.3kΩ,1/10W

#	REF No.	PART No.	PART NAME, DESCRIPTION	
R880		NRSA02J-0R0X	MG RESISTOR	0Ω,1/10W
R881		NRSA02J-471X	MG RESISTOR	470Ω,1/10W
R882		NRSA02J-184X	MG RESISTOR	180kΩ,1/10W
R883		NRSA02J-822X	MG RESISTOR	8.2kΩ,1/10W
R884		NRSA02J-272X	MG RESISTOR	2.7kΩ,1/10W
R885		NRSA02J-153X	MG RESISTOR	15kΩ,1/10W
R886		NRSA02J-681X	MG RESISTOR	680Ω,1/10W
R887		NRSA02J-103X	MG RESISTOR	10kΩ,1/10W
R888		NRSA02J-472X	MG RESISTOR	4.7kΩ,1/10W
R889		NRSA02J-472X	MG RESISTOR	4.7kΩ,1/10W
R891		NRSA02J-0R0X	MG RESISTOR	0Ω,1/10W
C851		QEKJ0JM-337	E CAPACITOR	330μF,6.3V
C852		NCB21EK-224X	CAPACITOR	0.22μF,25V
C853		NCB21CK-105X	CAPACITOR	1μF,16V
C856		NCB21CK-105X	CAPACITOR	1μF,16V
C857		NDC21HJ-560X	CAPACITOR	56pF,50V
C858		NCB21CK-474X	CAPACITOR	0.47μF,16V
C860		NCB21HK-103X	CAPACITOR	0.01μF,50V
C861		NDC21HJ-150X	CAPACITOR	15pF,50V
C862		NDC21HJ-470X	CAPACITOR	47pF,50V
C863		NDC21HJ-101X	CAPACITOR	100pF,50V
C865		NDC21HJ-100X	CAPACITOR	10pF,50V
C867		NDC21HJ-330X	CAPACITOR	33pF,50V
C868		NDC21HJ-330X	CAPACITOR	33pF,50V
C870		NDC21HJ-101X	CAPACITOR	100pF,50V
C871		NDC21HJ-101X	CAPACITOR	100pF,50V
C872		NCB21EK-104X	CAPACITOR	0.1μF,25V
C873		QEKJ1EM-475	E CAPACITOR	4.7μF,25V
C874		NCB21EK-224X	CAPACITOR	0.22μF,25V
C875		NCB21EK-224X	CAPACITOR	0.22μF,25V
C876		QEKJ0JM-227	E CAPACITOR	220μF,6.3V
C877		QEKJ1CM-476	E CAPACITOR	47μF,16V
C878		NCB21HK-103X	CAPACITOR	0.01μF,50V
C879		NCB21EK-104X	CAPACITOR	0.1μF,25V
C881		NCB21HK-471X	CAPACITOR	470pF,50V
C882		NCB21HK-223X	CAPACITOR	0.022μF,50V
C883		QEKJ1HM-225	E CAPACITOR	2.2μF,50V
C884		NCB21EK-104X	CAPACITOR	0.1μF,25V
C885		NCB21EK-104X	CAPACITOR	0.1μF,25V
C886		NCB21EK-104X	CAPACITOR	0.1μF,25V
L851		QQL01BK-1R0Z	COIL	1μH
L852		QQL071J-220Y	COIL	22μH
L853		QQL29BJ-100Z	COIL	10μH
L855		QQL071J-270Y	COIL	27μH
L856		QQL071J-820Y	COIL	82μH
L857		QQL071J-330Y	COIL	33μH
L858		QQL37CJ-220Z	COIL	22μH
L859		QQL29BJ-4R7Z	COIL	4.7μH
T851		PELN0806	LC TRAP	
BK1		LP40077-001A	BRACKET(BOARD)	
CN851		QGG2502K1-20	HEADER PIN	

EJECT SW BOARD ASSEMBLY <27>

PW5	LPA10126-01C5	EJECT SW BOARD ASSY
S7011	QSW0456-002Z	TACT SWITCH,VHS EJECT

#	REF No.	PART No.	PART NAME, DESCRIPTION	
FW7005		QUM022-15A4A4	PARA RIBON WIRE	

SW/DISPLAY BOARD ASSEMBLY <28>				
PW1		LPA10126-01C1	SW/DISPLAY BOARD ASSY	
IC7001		M35500BGP	IC	
		or M35500AGP	IC	
IC7002		PNA4652M00XB	IR DETECT UNIT	
		or GP1U281X	IR DETECT UNIT	
D7002		RD9.1ES/B2/-T2	ZENER DIODE	
		or UZ9.1BSB	ZENER DIODE	
		or MTZJ9.1B	ZENER DIODE	
D7004		1SS133	DIODE	
		or 1N4148M	DIODE	
D7005		1SS133	DIODE	
		or 1N4148M	DIODE	
D7006		1SS133	DIODE	
		or 1N4148M	DIODE	
D7009		SLR-342DU3F	LE DIODE	
D7010		SLR-342MG3F	LE DIODE	
D7011		SLR-342VR3F	LE DIODE	
D7013		SLR-342MG3F	LE DIODE	
D7014		SLR-342VR3F	LE DIODE	
D7015		SLR-342MG3F	LE DIODE	
D7016		SLR-342MG3F	LE DIODE	
R7001		QRE141J-471Y	RESISTOR	470Ω,1/4W
R7002		QRE141J-471Y	RESISTOR	470Ω,1/4W
R7003		QRE141J-471Y	RESISTOR	470Ω,1/4W
R7004		QRE141J-471Y	RESISTOR	470Ω,1/4W
R7006		QRE141J-103Y	RESISTOR	10kΩ,1/4W
R7007		QRE141J-103Y	RESISTOR	10kΩ,1/4W
R7008		QRE141J-103Y	RESISTOR	10kΩ,1/4W
R7013		QRE141J-103Y	RESISTOR	10kΩ,1/4W
R7020		QRE141J-103Y	RESISTOR	10kΩ,1/4W
R7021		QRE141J-122Y	RESISTOR	1.2kΩ,1/4W
R7022		QRE141J-182Y	RESISTOR	1.8kΩ,1/4W
R7023		QRE141J-222Y	RESISTOR	2.2kΩ,1/4W
R7024		QRE141J-272Y	RESISTOR	2.7kΩ,1/4W
R7025		QRE141J-472Y	RESISTOR	4.7kΩ,1/4W
R7026		QRE141J-682Y	RESISTOR	6.8kΩ,1/4W
R7027		QRE141J-153Y	RESISTOR	15kΩ,1/4W
R7028		QRE141J-393Y	RESISTOR	39kΩ,1/4W
R7030		QRE141J-103Y	RESISTOR	10kΩ,1/4W
R7031		QRE141J-122Y	RESISTOR	1.2kΩ,1/4W
R7032		QRE141J-182Y	RESISTOR	1.8kΩ,1/4W
R7033		QRE141J-222Y	RESISTOR	2.2kΩ,1/4W
R7034		QRE141J-272Y	RESISTOR	2.7kΩ,1/4W
R7035		QRE141J-472Y	RESISTOR	4.7kΩ,1/4W
R7036		QRE141J-682Y	RESISTOR	6.8kΩ,1/4W
R7037		QRE141J-153Y	RESISTOR	15kΩ,1/4W
R7038		QRE141J-393Y	RESISTOR	39kΩ,1/4W
R7040		QRE141J-103Y	RESISTOR	10kΩ,1/4W
R7041		QRE141J-122Y	RESISTOR	1.2kΩ,1/4W
R7042		QRE141J-182Y	RESISTOR	1.8kΩ,1/4W
R7051		QRE141J-331Y	RESISTOR	330Ω,1/4W
R7052		QRE141J-331Y	RESISTOR	330Ω,1/4W
R7053		QRE141J-331Y	RESISTOR	330Ω,1/4W
R7054		QRE141J-331Y	RESISTOR	330Ω,1/4W

#	△ REF No.	PART No.	PART NAME, DESCRIPTION
R7055	QRE141J-331Y	RESISTOR	330Ω,1/4W
R7057	QRE141J-331Y	RESISTOR	330Ω,1/4W
R7058	QRE141J-331Y	RESISTOR	330Ω,1/4W
R7059	QRE141J-331Y	RESISTOR	330Ω,1/4W
C7001	QCFB1HZ-104	CAPACITOR	0.1μF,50V
C7002	QETN1HM-106	E CAPACITOR	10μF,50V
C7007	QEKCOJM-476	E CAPACITOR	47μF,6.3V
C7009	QCSB1HJ-150	CAPACITOR	15pF,50V
C7010	QCFB1HZ-104	CAPACITOR	0.1μF,50V
C7011	QEK1AM-227	E CAPACITOR	220μF,10V
C7019	QDVB1EZ-223Y	CAPACITOR	0.022μF,25V
S7001	QSW0456-002Z	TACT SWITCH,POWER	
S7002	QSW0456-002Z	TACT SWITCH,CH+	
S7003	QSW0456-002Z	TACT SWITCH,CH-	
S7004	QSW0456-002Z	TACT SWITCH,REC	
S7005	QSW0456-002Z	TACT SWITCH,PAUSE	
S7006	QSW0456-002Z	TACT SWITCH,PLAY	
S7007	QSW0456-002Z	TACT SWITCH,STOP	
S7012	QSW0456-002Z	TACT SWITCH,S-VHS ET	
S7013	QSW0456-002Z	TACT SWITCH,VHS	
S7014	QSW0456-002Z	TACT SWITCH,DV EJECT	
S7015	QSW0456-002Z	TACT SWITCH,RAE	
S7016	QSW0456-002Z	TACT SWITCH,INSERT	
S7017	QSW0456-002Z	TACT SWITCH,A.DUB	
S7018	QSW0456-002Z	TACT SWITCH,IN,OUT	
S7019	QSW0456-002Z	TACT SWITCH,START	
S7021	QSW0456-002Z	TACT SWITCH,DV-VHS	
S7022	QSW0456-002Z	TACT SWITCH,VHS-DV	
S7023	QSW0456-002Z	TACT SWITCH,DUB	
DI7001	QLF0031-002	FL TUBE	
HD1	PQ34949	FDP HOLDER(L),DI7001	
HD2	PQ34950	FDP HOLDER(R),DI7001	
HD3	PQ40795-2-2	LED HOLDER,D7009	
HD4	PQM30038-1-2	LED HOLDER,D7010	
HD5	PQM30038-1-2	LED HOLDER,D7011	
HD6	PQM30038-1-2	LED HOLDER,D7013	
HD7	PQM30038-1-2	LED HOLDER,D7014	
HD8	PQM30038-1-2	LED HOLDER,D7015	
HD9	PQM30038-1-2	LED HOLDER,D7016	
CN7001	QGF1207F1-18	FPC CONNECTOR,(1-18)VHS MAIN	

JACK BOARD ASSEMBLY <36>

PW2	LPA10126-01C2	JACK BOARD ASSY	
D7063	1SS133	DIODE	
	or 1N4148M	DIODE	
D7064	1SS133	DIODE	
	or 1N4148M	DIODE	
D7065	1SS133	DIODE	
	or 1N4148M	DIODE	
D7066	1SS133	DIODE	
	or 1N4148M	DIODE	
R7061	QRE141J-750Y	RESISTOR	75Ω,1/4W
R7063	QRE141J-750Y	RESISTOR	75Ω,1/4W
R7064	QRE141J-750Y	RESISTOR	75Ω,1/4W
C7061	QDYB1CM-103Y	CAPACITOR	0.01μF,16V
C7062	QCBB1HJ-681	CAPACITOR	680pF,50V

#	△ REF No.	PART No.	PART NAME, DESCRIPTION
C7064	QCBB1HJ-681	CAPACITOR	680pF,50V
L7061	QQL071J-100Y	COIL	10μH
L7062	QQL071J-100Y	COIL	10μH
J7001	QND0085-001	S JACK,S VIDEO	
J7002	PEMC1126-04	PIN JACK,V IN	
J7003	PEMC0922-02	PIN JACK(SW),R IN	
J7004	PEMC0922-03	PIN JACK(SW),L IN	
J7005	PU60659	MINI JACK,R.PAUSE	
WR7001	QUB220-16A4XL	SIN TWST WIRE	
CN7002	QGF1207F1-16	FPC CONNECTOR,(1-16)VHS MAIN	

LED/SW BOARD ASSEMBLY <47>

PW3	LPA10126-01C3	LED/SW BOARD ASSY	
D7012	SLR-342DU3F	LE DIODE	
S7010	QSW0456-001Z	TACT SWITCH,DV/HDR	
FW7003	QUM034-04A4A4	PARA RIBON WIRE	

DV MAIN BOARD ASSEMBLY <50>

PW1	LPA10117-01C1	DV MAIN BOARD ASSY	
IC1001	MN1021617FN	IC(MCU)	
IC1002	TC7W04FU	IC(DIGITAL)	
IC1005	S-80823ANNP-W	IC	
IC1006	RS5C314	IC	
IC1007	25LC160-I/SN-X	IC	
	or X25170S8I-2.5-X	IC	
IC1008	TC7W08F	IC	
IC1009	MM1426CN	IC	
IC1010	MM1426CN	IC	
IC1501	MN103004KFB	IC	
IC1502	TC7W14FK	IC	
IC1601	TC4W53FU	IC	
IC2001	JCY0133	IC	
IC2002	JCY0136	IC	
IC2003	MM1385NN	IC	
IC2004	MM1385JN	IC	
IC2007	TLC2940IPW	IC	
IC3001	JCP8029	IC	
IC3101	TC7SH04F	IC(DIGITAL)	
IC3102	TC7SH04F	IC(DIGITAL)	
IC3151	M62366GP	IC	
IC3501	NJM2538V	IC	
IC3502	MM1385HN	IC	
IC3701	AK4518-VF-X	IC	
	or PCM3006	IC	
IC3702	BA15218F-XE	IC	
IC3703	BA15218F-XE	IC	
Q1001	2SC4617/RS/-X	TRANSISTOR	
Q1002	2SC4617/RS/-X	TRANSISTOR	
Q1011	2SB1302/ST/-X	TRANSISTOR	
Q1012	DTC144EE	TRANSISTOR	

#	△	REF No.	PART No.	PART NAME, DESCRIPTION	#	△	REF No.	PART No.	PART NAME, DESCRIPTION
Q1013			2SB1302/ST/-X	TRANSISTOR	R1091			NRSA63J-103X	MG RESISTOR 10kΩ,1/16W
Q1014			DTC144EE	TRANSISTOR	R1092			NRSA63J-102X	MG RESISTOR 1kΩ,1/16W
Q1015			2SB1302/ST/-X	TRANSISTOR	R1093			NRSA63J-103X	MG RESISTOR 10kΩ,1/16W
Q1016			DTC144EE	TRANSISTOR	R1094			NRSA63J-271X	MG RESISTOR 270Ω,1/16W
Q1017			2SB1302/ST/-X	TRANSISTOR	R1095			NRSA63J-103X	MG RESISTOR 10kΩ,1/16W
Q1018			DTC144EE	TRANSISTOR	R1096			NRSA63J-271X	MG RESISTOR 270Ω,1/16W
Q1501			DTA114EE	TRANSISTOR	R1098			NRSA63J-103X	MG RESISTOR 10kΩ,1/16W
Q1602			UMC3N	TRANSISTOR	R1099			NRSA63J-102X	MG RESISTOR 1kΩ,1/16W
Q1603			UMC3N	TRANSISTOR	R1100			NRSA63J-0R0X	MG RESISTOR 0Ω,1/16W
Q3101			2SA1576A/RS/-X	TRANSISTOR	R1103			NRSA63J-0R0X	MG RESISTOR 0Ω,1/16W
Q3102			2SA1576A/RS/-X	TRANSISTOR	R1105			NRSA63J-0R0X	MG RESISTOR 0Ω,1/16W
Q3111			2SA1576A/RS/-X	TRANSISTOR	R1106			NRSA63J-0R0X	MG RESISTOR 0Ω,1/16W
Q3112			HN1B04FU/YG/-X	PAIR TRANSISTOR	R1107			NRSA63J-0R0X	MG RESISTOR 0Ω,1/16W
Q3113			2SC4081/RS/-X	TRANSISTOR	R1114			NRSA63J-0R0X	MG RESISTOR 0Ω,1/16W
Q3114			2SC4081/S/-X	TRANSISTOR	R1117			NRSA63J-0R0X	MG RESISTOR 0Ω,1/16W
Q3115			DTC144EE	TRANSISTOR	R1118			NRSA63J-0R0X	MG RESISTOR 0Ω,1/16W
Q3131			2SA1576A/RS/-X	TRANSISTOR	R1119			NRSA63J-0R0X	MG RESISTOR 0Ω,1/16W
Q3132			HN1B04FU/YG/-X	PAIR TRANSISTOR	R1120			NRSA63J-0R0X	MG RESISTOR 0Ω,1/16W
Q3133			2SC4081/RS/-X	TRANSISTOR	R1125			NRSA63J-102X	MG RESISTOR 1kΩ,1/16W
Q3501			DTC144EE	TRANSISTOR	R1126			NRSA63J-102X	MG RESISTOR 1kΩ,1/16W
Q3502			2SA1576A/RS/-X	TRANSISTOR	R1501			NRSA63J-0R0X	MG RESISTOR 0Ω,1/16W
Q3503			2SA1576A/RS/-X	TRANSISTOR	R1502			NRSA63J-0R0X	MG RESISTOR 0Ω,1/16W
D1001			SB007W03Q	SB DIODE	R1503			NRSA63J-0R0X	MG RESISTOR 0Ω,1/16W
D1002			SB007W03Q	SB DIODE	R1504			NRSA63J-102X	MG RESISTOR 1kΩ,1/16W
D1501			SB007W03Q	SB DIODE	R1505			NRSA63J-0R0X	MG RESISTOR 0Ω,1/16W
D2002			EC2C01C	VARI CAP DIODE	R1506			NRSA63J-0R0X	MG RESISTOR 0Ω,1/16W
D2003			EC2C01C	VARI CAP DIODE	R1514			NRSA63J-0R0X	MG RESISTOR 0Ω,1/16W
D2004			EC2C01C	VARI CAP DIODE	R1515			NRSA63J-0R0X	MG RESISTOR 0Ω,1/16W
R1002			NRSA63J-102X	MG RESISTOR 1kΩ,1/16W	R1516			NRSA63J-0R0X	MG RESISTOR 0Ω,1/16W
R1025			NRSA63J-0R0X	MG RESISTOR 0Ω,1/16W	R1517			NRSA63J-0R0X	MG RESISTOR 0Ω,1/16W
R1027			NRSA63J-104X	MG RESISTOR 100kΩ,1/16W	R1518			NRSA63J-0R0X	MG RESISTOR 0Ω,1/16W
R1028			NRSA63J-0R0X	MG RESISTOR 0Ω,1/16W	R1519			NRSA63J-472X	MG RESISTOR 4.7kΩ,1/16W
R1029			NRSA63J-0R0X	MG RESISTOR 0Ω,1/16W	R1520			NRSA63J-102X	MG RESISTOR 1kΩ,1/16W
R1030			NRSA63J-102X	MG RESISTOR 1kΩ,1/16W	R1521			NRSA63J-222X	MG RESISTOR 2.2kΩ,1/16W
R1031			NRSA63J-102X	MG RESISTOR 1kΩ,1/16W	R1522			NRSA63J-222X	MG RESISTOR 2.2kΩ,1/16W
R1032			NRSA63J-102X	MG RESISTOR 1kΩ,1/16W	R1523			NRSA63J-0R0X	MG RESISTOR 0Ω,1/16W
R1033			NRSA63J-0R0X	MG RESISTOR 0Ω,1/16W	R1524			NRSA63J-0R0X	MG RESISTOR 0Ω,1/16W
R1035			NRSA63J-102X	MG RESISTOR 1kΩ,1/16W	R1525			NRSA63J-0R0X	MG RESISTOR 0Ω,1/16W
R1037			NRSA63J-103X	MG RESISTOR 10kΩ,1/16W	R1526			NRSA63J-0R0X	MG RESISTOR 0Ω,1/16W
R1038			NRSA63J-103X	MG RESISTOR 10kΩ,1/16W	R1527			NRSA63J-0R0X	MG RESISTOR 0Ω,1/16W
R1041			NRSA63J-102X	MG RESISTOR 1kΩ,1/16W	R1528			NRSA63J-0R0X	MG RESISTOR 0Ω,1/16W
R1043			NRSA63J-102X	MG RESISTOR 1kΩ,1/16W	R1535			NRSA63J-332X	MG RESISTOR 3.3kΩ,1/16W
R1045			NRSA63J-102X	MG RESISTOR 1kΩ,1/16W	R1536			NRSA63J-202X	MG RESISTOR 2kΩ,1/16W
R1046			NRSA63J-102X	MG RESISTOR 1kΩ,1/16W	R1537			NRSA63J-332X	MG RESISTOR 3.3kΩ,1/16W
R1047			NRSA63J-102X	MG RESISTOR 1kΩ,1/16W	R1538			NRSA63J-332X	MG RESISTOR 3.3kΩ,1/16W
R1048			NRSA63J-102X	MG RESISTOR 1kΩ,1/16W	R1539			NRSA63J-332X	MG RESISTOR 3.3kΩ,1/16W
R1049			NRSA63J-103X	MG RESISTOR 10kΩ,1/16W	R1540			NRSA63J-0R0X	MG RESISTOR 0Ω,1/16W
R1050			NRSA63J-0R0X	MG RESISTOR 0Ω,1/16W	R1546			NRSA63J-102X	MG RESISTOR 1kΩ,1/16W
R1051			NRSA63J-223X	MG RESISTOR 22kΩ,1/16W	R1547			NRSA63J-0R0X	MG RESISTOR 0Ω,1/16W
R1052			NRSA63J-333X	MG RESISTOR 33kΩ,1/16W	R1552			NRSA63J-0R0X	MG RESISTOR 0Ω,1/16W
R1053			NRSA63J-102X	MG RESISTOR 1kΩ,1/16W	R1553			NRSA63J-0R0X	MG RESISTOR 0Ω,1/16W
R1061			NRSA63J-472X	MG RESISTOR 4.7kΩ,1/16W	R1558			NRSA63J-0R0X	MG RESISTOR 0Ω,1/16W
R1062			NRSA63J-472X	MG RESISTOR 4.7kΩ,1/16W	R1560			NRSA63J-0R0X	MG RESISTOR 0Ω,1/16W
R1063			NRSA63J-103X	MG RESISTOR 10kΩ,1/16W	R1562			NRSA63J-0R0X	MG RESISTOR 0Ω,1/16W
R1064			NRSA63J-472X	MG RESISTOR 4.7kΩ,1/16W	R1563			NRSA63J-0R0X	MG RESISTOR 0Ω,1/16W
R1065			NRSA63J-103X	MG RESISTOR 10kΩ,1/16W	R1564			NRSA63J-0R0X	MG RESISTOR 0Ω,1/16W
R1081			NRSA63J-0R0X	MG RESISTOR 0Ω,1/16W	R1565			NRSA63J-332X	MG RESISTOR 3.3kΩ,1/16W
R1082			NRSA63J-103X	MG RESISTOR 10kΩ,1/16W	R1566			NRSA63J-332X	MG RESISTOR 3.3kΩ,1/16W
R1083			NRSA63J-222X	MG RESISTOR 2.2kΩ,1/16W	R1567			NRSA63J-332X	MG RESISTOR 3.3kΩ,1/16W
R1084			NRSA63J-104X	MG RESISTOR 100kΩ,1/16W	R1568			NRSA63J-332X	MG RESISTOR 3.3kΩ,1/16W
R1085			NRSA63J-104X	MG RESISTOR 100kΩ,1/16W	R1569			NRSA63J-0R0X	MG RESISTOR 0Ω,1/16W

#	△ REF No.	PART No.	PART NAME, DESCRIPTION	#	△ REF No.	PART No.	PART NAME, DESCRIPTION
R1575		NRSA63J-0R0X	MG RESISTOR 0Ω,1/16W	R2021		NRSA63J-102X	MG RESISTOR 1kΩ,1/16W
R1576		NRSA63J-0R0X	MG RESISTOR 0Ω,1/16W	R2022		NRSA63J-103X	MG RESISTOR 10kΩ,1/16W
R1577		NRSA63J-0R0X	MG RESISTOR 0Ω,1/16W	R2023		NRSA63J-103X	MG RESISTOR 10kΩ,1/16W
R1578		NRSA63J-102X	MG RESISTOR 1kΩ,1/16W	R2027		NRSA63J-224X	MG RESISTOR 220kΩ,1/16W
R1579		NRSA63J-102X	MG RESISTOR 1kΩ,1/16W	R2033		NRSA63J-242X	MG RESISTOR 2.4kΩ,1/16W
R1580		NRSA63J-102X	MG RESISTOR 1kΩ,1/16W	R2034		NRSA63J-392X	MG RESISTOR 3.9kΩ,1/16W
R1581		NRSA63J-0R0X	MG RESISTOR 0Ω,1/16W	R2035		NRSA63J-392X	MG RESISTOR 3.9kΩ,1/16W
R1587		NRSA63J-0R0X	MG RESISTOR 0Ω,1/16W	R2036		NRSA63J-560X	MG RESISTOR 56Ω,1/16W
R1591		NRSA63J-103X	MG RESISTOR 10kΩ,1/16W	R2037		NRSA63J-560X	MG RESISTOR 56Ω,1/16W
R1592		NRSA63J-103X	MG RESISTOR 10kΩ,1/16W	R2038		NRSA63J-560X	MG RESISTOR 56Ω,1/16W
R1593		NRSA63J-103X	MG RESISTOR 10kΩ,1/16W	R2039		NRSA63J-560X	MG RESISTOR 56Ω,1/16W
R1601		NRSA63J-0R0X	MG RESISTOR 0Ω,1/16W	R2040		NRSA63J-512X	MG RESISTOR 5.1kΩ,1/16W
R1602		NRSA63J-0R0X	MG RESISTOR 0Ω,1/16W	R2041		NRSA63J-103X	MG RESISTOR 10kΩ,1/16W
R1603		NRSA63J-0R0X	MG RESISTOR 0Ω,1/16W	R2042		NRSA63J-103X	MG RESISTOR 10kΩ,1/16W
R1605		NRSA63J-0R0X	MG RESISTOR 0Ω,1/16W	R2043		NRSA63J-105X	MG RESISTOR 1MΩ,1/16W
R1606		NRSA63J-0R0X	MG RESISTOR 0Ω,1/16W	R2044		NRSA63J-0R0X	MG RESISTOR 0Ω,1/16W
R1607		NRSA63J-0R0X	MG RESISTOR 0Ω,1/16W	R2047		NRSA63J-224X	MG RESISTOR 220kΩ,1/16W
R1608		NRSA63J-0R0X	MG RESISTOR 0Ω,1/16W	R2048		NRSA63J-224X	MG RESISTOR 220kΩ,1/16W
R1609		NRSA63J-0R0X	MG RESISTOR 0Ω,1/16W	R2049		NRSA63J-0R0X	MG RESISTOR 0Ω,1/16W
R1611		NRSA63J-0R0X	MG RESISTOR 0Ω,1/16W	R2050		NRSA63J-222X	MG RESISTOR 2.2kΩ,1/16W
R1612		NRSA63J-0R0X	MG RESISTOR 0Ω,1/16W	R2052		NRSA63J-0R0X	MG RESISTOR 0Ω,1/16W
R1613		NRSA63J-0R0X	MG RESISTOR 0Ω,1/16W	R2053		NRSA63J-0R0X	MG RESISTOR 0Ω,1/16W
R1614		NRSA63J-0R0X	MG RESISTOR 0Ω,1/16W	R2054		NRSA63J-0R0X	MG RESISTOR 0Ω,1/16W
R1615		NRSA63J-0R0X	MG RESISTOR 0Ω,1/16W	R2055		NRSA63J-0R0X	MG RESISTOR 0Ω,1/16W
R1616		NRSA63J-0R0X	MG RESISTOR 0Ω,1/16W	R2056		NRSA63J-0R0X	MG RESISTOR 0Ω,1/16W
R1617		NRSA63J-0R0X	MG RESISTOR 0Ω,1/16W	R2057		NRSA63J-0R0X	MG RESISTOR 0Ω,1/16W
R1618		NRSA63J-0R0X	MG RESISTOR 0Ω,1/16W	R2058		NRSA63J-0R0X	MG RESISTOR 0Ω,1/16W
R1619		NRSA63J-0R0X	MG RESISTOR 0Ω,1/16W	R2059		NRSA63J-0R0X	MG RESISTOR 0Ω,1/16W
R1632		NRSA63J-331X	MG RESISTOR 330Ω,1/16W	R2060		NRSA63J-0R0X	MG RESISTOR 0Ω,1/16W
R1634		NRSA63J-473X	MG RESISTOR 47kΩ,1/16W	R2061		NRSA63J-0R0X	MG RESISTOR 0Ω,1/16W
R1635		NRSA63J-331X	MG RESISTOR 330Ω,1/16W	R2062		NRSA63J-0R0X	MG RESISTOR 0Ω,1/16W
R1636		NRSA63J-0R0X	MG RESISTOR 0Ω,1/16W	R2082		NRSA63J-0R0X	MG RESISTOR 0Ω,1/16W
R1641		NRSA63J-0R0X	MG RESISTOR 0Ω,1/16W	R2083		NRSA63J-0R0X	MG RESISTOR 0Ω,1/16W
R1642		NRSA63J-0R0X	MG RESISTOR 0Ω,1/16W	R2084		NRSA63J-0R0X	MG RESISTOR 0Ω,1/16W
R1644		NRSA63J-0R0X	MG RESISTOR 0Ω,1/16W	R2085		NRSA63J-0R0X	MG RESISTOR 0Ω,1/16W
R1645		NRSA63J-0R0X	MG RESISTOR 0Ω,1/16W	R2086		NRSA63J-0R0X	MG RESISTOR 0Ω,1/16W
R1646		NRSA63J-0R0X	MG RESISTOR 0Ω,1/16W	R2087		NRSA63J-105X	MG RESISTOR 1MΩ,1/16W
R1647		NRSA63J-0R0X	MG RESISTOR 0Ω,1/16W	R2088		NRSA63J-105X	MG RESISTOR 1MΩ,1/16W
R1648		NRSA63J-0R0X	MG RESISTOR 0Ω,1/16W	R2089		NRSA63J-0R0X	MG RESISTOR 0Ω,1/16W
R1649		NRSA63J-0R0X	MG RESISTOR 0Ω,1/16W	R2090		NRSA63J-102X	MG RESISTOR 1kΩ,1/16W
R1650		NRSA63J-0R0X	MG RESISTOR 0Ω,1/16W	R2091		NRSA63J-102X	MG RESISTOR 1kΩ,1/16W
R1651		NRSA63J-0R0X	MG RESISTOR 0Ω,1/16W	R2092		NRSA63J-102X	MG RESISTOR 1kΩ,1/16W
R1653		NRSA63J-0R0X	MG RESISTOR 0Ω,1/16W	R2093		NRSA63J-102X	MG RESISTOR 1kΩ,1/16W
R1655		NRSA63J-0R0X	MG RESISTOR 0Ω,1/16W	R2094		NRSA63J-102X	MG RESISTOR 1kΩ,1/16W
R1661		NRSA63J-101X	MG RESISTOR 100Ω,1/16W	R2098		NQR0146-004X	FERRITE BEAD
R1663		NRSA63J-330X	MG RESISTOR 33Ω,1/16W	R2101		NRSA63J-0R0X	MG RESISTOR 0Ω,1/16W
R1665		NRSA63J-683X	MG RESISTOR 68kΩ,1/16W	R2102		NRSA63J-0R0X	MG RESISTOR 0Ω,1/16W
R1666		NRSA63J-683X	MG RESISTOR 68kΩ,1/16W	R2103		NRSA63J-0R0X	MG RESISTOR 0Ω,1/16W
R1667		NRSA63J-102X	MG RESISTOR 1kΩ,1/16W	R2104		NRSA63J-0R0X	MG RESISTOR 0Ω,1/16W
R1668		NRSA63J-102X	MG RESISTOR 1kΩ,1/16W	R2106		NRSA63J-0R0X	MG RESISTOR 0Ω,1/16W
R2010		NRSA63J-0R0X	MG RESISTOR 0Ω,1/16W	R2107		NRSA63J-0R0X	MG RESISTOR 0Ω,1/16W
R2011		NRSA63J-151X	MG RESISTOR 150Ω,1/16W	R2108		NRSA63J-0R0X	MG RESISTOR 0Ω,1/16W
R2012		NRSA63J-302X	MG RESISTOR 3kΩ,1/16W	R2109		NRSA63J-0R0X	MG RESISTOR 0Ω,1/16W
R2013		NRSA63J-151X	MG RESISTOR 150Ω,1/16W	R2110		NRSA63J-0R0X	MG RESISTOR 0Ω,1/16W
R2014		NRSA63J-302X	MG RESISTOR 3kΩ,1/16W	R2112		NRSA63J-0R0X	MG RESISTOR 0Ω,1/16W
R2015		NRSA63J-0R0X	MG RESISTOR 0Ω,1/16W	R2113		NRSA63J-0R0X	MG RESISTOR 0Ω,1/16W
R2016		NRSA63J-105X	MG RESISTOR 1MΩ,1/16W	R2114		NRSA63J-0R0X	MG RESISTOR 0Ω,1/16W
R2017		NRSA63J-0R0X	MG RESISTOR 0Ω,1/16W	R2115		NRSA63J-0R0X	MG RESISTOR 0Ω,1/16W
R2018		NRSA63J-562X	MG RESISTOR 5.6kΩ,1/16W	R2116		NRSA63J-0R0X	MG RESISTOR 0Ω,1/16W
R2019		NRSA63J-222X	MG RESISTOR 2.2kΩ,1/16W	R2117		NRSA63J-0R0X	MG RESISTOR 0Ω,1/16W
R2020		NRSA63J-102X	MG RESISTOR 1kΩ,1/16W	R2118		NRSA63J-0R0X	MG RESISTOR 0Ω,1/16W

#	△	REF No.	PART No.	PART NAME, DESCRIPTION	#	△	REF No.	PART No.	PART NAME, DESCRIPTION
R2119			NRSA63J-0R0X	MG RESISTOR	R3121			NRVA63D-821X	CMF RESISTOR
R2121			NRSA63J-0R0X	MG RESISTOR	R3122			NRVA63D-821X	CMF RESISTOR
R2122			NRSA63J-0R0X	MG RESISTOR	R3123			NRSA63J-271X	MG RESISTOR
R2123			NRSA63J-0R0X	MG RESISTOR	R3124			NRSA63J-474X	MG RESISTOR
R2124			NRSA63J-0R0X	MG RESISTOR	R3125			NRSA63J-122X	MG RESISTOR
R2125			NRSA63J-0R0X	MG RESISTOR	R3131			NRSA63J-563X	MG RESISTOR
R2126			NRSA63J-0R0X	MG RESISTOR	R3132			NRSA63J-473X	MG RESISTOR
R2140			NRSA63J-0R0X	MG RESISTOR	R3133			NRSA63J-220X	MG RESISTOR
R2141			NRSA63J-102X	MG RESISTOR	R3134			NRSA63J-681X	MG RESISTOR
R2142			NRSA63J-102X	MG RESISTOR	R3135			NRSA63J-821X	MG RESISTOR
R2145			NRSA63J-561X	MG RESISTOR	R3136			NRSA63J-183X	MG RESISTOR
R2146			NRSA63J-392X	MG RESISTOR	R3137			NRSA63J-222X	MG RESISTOR
R2149			NRSA63J-0R0X	MG RESISTOR	R3138			NRSA63J-473X	MG RESISTOR
R2150			NRSA63J-222X	MG RESISTOR	R3139			NRSA63J-393X	MG RESISTOR
R3003			NRSA63J-821X	MG RESISTOR	R3140			NRSA63J-681X	MG RESISTOR
R3004			NRSA63J-271X	MG RESISTOR	R3141			NRVA63D-821X	CMF RESISTOR
R3005			NRSA63J-101X	MG RESISTOR	R3142			NRSA63J-122X	MG RESISTOR
R3007			NRSA63J-0R0X	MG RESISTOR	R3143			NRSA63J-271X	MG RESISTOR
R3008			NRSA63J-152X	MG RESISTOR	R3161			NRSA63J-105X	MG RESISTOR
R3024			NRSA63J-0R0X	MG RESISTOR	R3162			NRSA63J-221X	MG RESISTOR
R3025			NRSA63J-0R0X	MG RESISTOR	R3163			NRSA63J-0R0X	MG RESISTOR
R3026			NRSA63J-0R0X	MG RESISTOR	R3164			NRSA63J-0R0X	MG RESISTOR
R3027			NRSA63J-0R0X	MG RESISTOR	R3501			NRSA63J-225X	MG RESISTOR
R3028			NRSA63J-0R0X	MG RESISTOR	R3502			NRSA63J-103X	MG RESISTOR
R3029			NRSA63J-0R0X	MG RESISTOR	R3503			NRSA63J-103X	MG RESISTOR
R3032			NRSA63J-0R0X	MG RESISTOR	R3504			NRSA63J-121X	MG RESISTOR
R3033			NRSA63J-0R0X	MG RESISTOR	R3505			NRSA63J-680X	MG RESISTOR
R3034			NRSA63J-0R0X	MG RESISTOR	R3506			NRSA63J-750X	MG RESISTOR
R3035			NRSA63J-0R0X	MG RESISTOR	R3507			NRSA63J-680X	MG RESISTOR
R3048			NRSA63J-0R0X	MG RESISTOR	R3508			NRSA63J-750X	MG RESISTOR
R3054			NRSA63J-0R0X	MG RESISTOR	R3509			NRSA63J-224X	MG RESISTOR
R3056			NRSA63J-0R0X	MG RESISTOR	R3510			NRSA63J-103X	MG RESISTOR
R3057			NRSA63J-0R0X	MG RESISTOR	R3511			NRSA63J-203X	MG RESISTOR
R3058			NRSA63J-0R0X	MG RESISTOR	R3512			NRSA63J-103X	MG RESISTOR
R3064			NRSA63J-0R0X	MG RESISTOR	R3521			NRSA63J-621X	MG RESISTOR
R3065			NRSA63J-0R0X	MG RESISTOR	R3522			NRSA63J-472X	MG RESISTOR
R3069			NRSA63J-0R0X	MG RESISTOR	R3523			NRSA63J-332X	MG RESISTOR
R3070			NRSA63J-0R0X	MG RESISTOR	R3524			NRSA63J-222X	MG RESISTOR
R3071			NRSA63J-0R0X	MG RESISTOR	R3526			NRSA63J-681X	MG RESISTOR
R3073			NRSA63J-272X	MG RESISTOR	R3527			NRSA63J-472X	MG RESISTOR
R3074			NRSA63J-821X	MG RESISTOR	R3528			NRSA63J-332X	MG RESISTOR
R3076			NRSA63J-101X	MG RESISTOR	R3529			NRSA63J-222X	MG RESISTOR
R3078			NRSA63J-152X	MG RESISTOR	R3532			NRSA63J-0R0X	MG RESISTOR
R3079			NRSA63J-272X	MG RESISTOR	R3534			NRSA63J-0R0X	MG RESISTOR
R3080			NRSA63J-0R0X	MG RESISTOR	R3701			NRSA63J-153X	MG RESISTOR
R3101			NRSA63J-0R0X	MG RESISTOR	R3702			NRSA63J-153X	MG RESISTOR
R3102			NRSA63J-102X	MG RESISTOR	R3703			NRSA63J-822X	MG RESISTOR
R3103			NRSA63J-331X	MG RESISTOR	R3704			NRSA63J-822X	MG RESISTOR
R3104			NRSA63J-0R0X	MG RESISTOR	R3705			NRSA63J-0R0X	MG RESISTOR
R3105			NRSA63J-102X	MG RESISTOR	R3709			NRSA63J-100X	MG RESISTOR
R3106			NRSA63J-271X	MG RESISTOR	R3711			NRSA63J-302X	MG RESISTOR
R3111			NRSA63J-563X	MG RESISTOR	R3712			NRSA63J-302X	MG RESISTOR
R3112			NRSA63J-473X	MG RESISTOR	R3713			NRSA63J-102X	MG RESISTOR
R3113			NRSA63J-220X	MG RESISTOR	R3714			NRSA63J-102X	MG RESISTOR
R3114			NRSA63J-681X	MG RESISTOR	R3715			NRSA63J-0R0X	MG RESISTOR
R3115			NRSA63J-821X	MG RESISTOR	R3716			NRSA63J-103X	MG RESISTOR
R3116			NRSA63J-103X	MG RESISTOR	R3717			NRSA63J-103X	MG RESISTOR
R3117			NRSA63J-222X	MG RESISTOR	R3718			NRSA63J-0R0X	MG RESISTOR
R3118			NRSA63J-473X	MG RESISTOR	R3719			NRSA63J-102X	MG RESISTOR
R3119			NRSA63J-563X	MG RESISTOR	R3720			NRSA63J-102X	MG RESISTOR
R3120			NRSA63J-681X	MG RESISTOR	R3721			NRSA63J-221X	MG RESISTOR

#	△ REF No.	PART No.	PART NAME, DESCRIPTION		#	△ REF No.	PART No.	PART NAME, DESCRIPTION	
R3722		NRSA63J-272X	MG RESISTOR	2.7kΩ,1/16W	C1067		NCB31CK-104X	CAPACITOR	0.1μF,16V
R3723		NRSA63J-102X	MG RESISTOR	1kΩ,1/16W	C1068		NCB31CK-104X	CAPACITOR	0.1μF,16V
R3726		NRSA63J-102X	MG RESISTOR	1kΩ,1/16W	C1069		NEA70JM-226X	E CAPACITOR	22μF,6.3V
R3727		NRSA63J-272X	MG RESISTOR	2.7kΩ,1/16W	C1070		NEA70JM-226X	E CAPACITOR	22μF,6.3V
R3728		NRSA63J-221X	MG RESISTOR	220Ω,1/16W	C1501		NCB31CK-104X	CAPACITOR	0.1μF,16V
R3731		NRSA63J-0R0X	MG RESISTOR	0Ω,1/16W	C1502		NCB31CK-104X	CAPACITOR	0.1μF,16V
R3732		NRSA63J-0R0X	MG RESISTOR	0Ω,1/16W	C1504		NCB31CK-104X	CAPACITOR	0.1μF,16V
R3733		NRSA63J-0R0X	MG RESISTOR	0Ω,1/16W	C1505		NCB31EK-103X	CAPACITOR	0.01μF,25V
R3734		NRSA63J-0R0X	MG RESISTOR	0Ω,1/16W	C1506		NCB31EK-103X	CAPACITOR	0.01μF,25V
R3735		NRSA63J-0R0X	MG RESISTOR	0Ω,1/16W	C1507		NCB31EK-103X	CAPACITOR	0.01μF,25V
R3736		NRSA63J-0R0X	MG RESISTOR	0Ω,1/16W	C1508		NCB31CK-104X	CAPACITOR	0.1μF,16V
R3740		NRSA63J-221X	MG RESISTOR	220Ω,1/16W	C1509		NEA70JM-476X	E CAPACITOR	47μF,6.3V
R4001		NRSA63J-0R0X	MG RESISTOR	0Ω,1/16W	C1510		NEA70JM-476X	E CAPACITOR	47μF,6.3V
R4002		NRSA63J-0R0X	MG RESISTOR	0Ω,1/16W	C1515		NCB31EK-223X	CAPACITOR	0.022μF,25V
R4010		NRSA63J-103X	MG RESISTOR	10kΩ,1/16W	C1516		NCB31EK-223X	CAPACITOR	0.022μF,25V
RA1001		NRZ0040-102X	NET RESISTOR		C1517		NCB31EK-223X	CAPACITOR	0.022μF,25V
RA1002		NRZ0040-102X	NET RESISTOR		C1518		NCB31EK-223X	CAPACITOR	0.022μF,25V
RA1003		NRZ0040-102X	NET RESISTOR		C1521		NCB31CK-104X	CAPACITOR	0.1μF,16V
RA1004		NRZ0040-102X	NET RESISTOR		C1522		NCB31CK-104X	CAPACITOR	0.1μF,16V
RA1005		NRZ0040-104X	NET RESISTOR		C1523		NCB31CK-104X	CAPACITOR	0.1μF,16V
RA1006		NRZ0040-104X	NET RESISTOR		C2001		NCB31CK-104X	CAPACITOR	0.1μF,16V
RA1501		NRZ0040-0R0X	NET RESISTOR		C2002		NCB31CK-104X	CAPACITOR	0.1μF,16V
RA1502		NRZ0040-0R0X	NET RESISTOR		C2003		NCB31CK-104X	CAPACITOR	0.1μF,16V
RA1503		NRZ0040-0R0X	NET RESISTOR		C2005		NCB31CK-104X	CAPACITOR	0.1μF,16V
RA1504		NRZ0040-0R0X	NET RESISTOR		C2006		NCB31CK-104X	CAPACITOR	0.1μF,16V
RA1505		NRZ0040-102X	NET RESISTOR		C2007		NCB31CK-104X	CAPACITOR	0.1μF,16V
RA1506		NRZ0040-102X	NET RESISTOR		C2008		NDC31HJ-120X	CAPACITOR	12pF,50V
RA1507		NRZ0040-102X	NET RESISTOR		C2009		NDC31HJ-120X	CAPACITOR	12pF,50V
RA1508		NRZ0040-102X	NET RESISTOR		C2010		NCB31CK-104X	CAPACITOR	0.1μF,16V
RA1509		NRZ0040-102X	NET RESISTOR		C2011		NCB31CK-104X	CAPACITOR	0.1μF,16V
RA1510		NRZ0040-473X	NET RESISTOR		C2014		NDC31HJ-390X	CAPACITOR	39pF,50V
RA4001		NRZ0040-0R0X	NET RESISTOR		C2015		NDC31HJ-102X	CAPACITOR	0.001μF,50V
RA4002		NRZ0040-0R0X	NET RESISTOR		C2016		NCB31CK-104X	CAPACITOR	0.1μF,16V
C1001		NCB31CK-104X	CAPACITOR	0.1μF,16V	C2017		NCF21CZ-105X	CAPACITOR	1μF,16V
C1002		NCB31CK-104X	CAPACITOR	0.1μF,16V	C2018		NCB31EK-472X	CAPACITOR	0.0047μF,25V
C1006		NCB31CK-104X	CAPACITOR	0.1μF,16V	C2019		NDC31HJ-271X	CAPACITOR	270pF,50V
C1007		NCB31CK-104X	CAPACITOR	0.1μF,16V	C2020		NCB31CK-104X	CAPACITOR	0.1μF,16V
C1008		NCB31CK-104X	CAPACITOR	0.1μF,16V	C2022		NCB31CK-104X	CAPACITOR	0.1μF,16V
C1010		NCB31CK-104X	CAPACITOR	0.1μF,16V	C2023		NCB31CK-104X	CAPACITOR	0.1μF,16V
C1011		NCB31CK-104X	CAPACITOR	0.1μF,16V	C2024		NDC31HJ-6R0X	CAPACITOR	6pF,50V
C1021		NCB31CK-104X	CAPACITOR	0.1μF,16V	C2025		NDC31HJ-6R0X	CAPACITOR	6pF,50V
C1041		NCB31CK-104X	CAPACITOR	0.1μF,16V	C2026		NDC31HJ-102X	CAPACITOR	0.001μF,50V
C1042		NCB31CK-104X	CAPACITOR	0.1μF,16V	C2027		NDC31HJ-390X	CAPACITOR	39pF,50V
C1043		NDC31HJ-120X	CAPACITOR	12pF,50V	C2028		NDC31HJ-102X	CAPACITOR	0.001μF,50V
C1044		NDC31HJ-120X	CAPACITOR	12pF,50V	C2029		NDC31HJ-330X	CAPACITOR	33pF,50V
C1045		NCB31CK-104X	CAPACITOR	0.1μF,16V	C2031		NCB31CK-104X	CAPACITOR	0.1μF,16V
C1047		NBE21AM-106X	T CAPACITOR	10μF,10V	C2032		NCB31CK-104X	CAPACITOR	0.1μF,16V
C1051		NEA70JM-226X	E CAPACITOR	22μF,6.3V	C2033		NCB31CK-104X	CAPACITOR	0.1μF,16V
C1052		NCB31CK-104X	CAPACITOR	0.1μF,16V	C2036		NCB31CK-104X	CAPACITOR	0.1μF,16V
C1053		NEA70JM-226X	E CAPACITOR	22μF,6.3V	C2037		NCB31CK-104X	CAPACITOR	0.1μF,16V
C1054		NCB31CK-104X	CAPACITOR	0.1μF,16V	C2038		NCB31CK-104X	CAPACITOR	0.1μF,16V
C1055		NEA70JM-107X	E CAPACITOR	100μF,6.3V	C2039		NCB31CK-104X	CAPACITOR	0.1μF,16V
C1056		NCB31CK-104X	CAPACITOR	0.1μF,16V	C2040		NCB31CK-104X	CAPACITOR	0.1μF,16V
C1057		NEA70JM-107X	E CAPACITOR	100μF,6.3V	C2041		NCB31CK-104X	CAPACITOR	0.1μF,16V
C1058		NCB31CK-104X	CAPACITOR	0.1μF,16V	C2042		NCB31CK-104X	CAPACITOR	0.1μF,16V
C1059		NEA70JM-226X	E CAPACITOR	22μF,6.3V	C2043		NCB31CK-104X	CAPACITOR	0.1μF,16V
C1060		NCB31CK-104X	CAPACITOR	0.1μF,16V	C2044		NCB31CK-104X	CAPACITOR	0.1μF,16V
C1061		NCB31CK-104X	CAPACITOR	0.1μF,16V	C2051		NEA70JM-226X	E CAPACITOR	22μF,6.3V
C1062		NCB31CK-104X	CAPACITOR	0.1μF,16V	C2052		NCF21CZ-105X	CAPACITOR	1μF,16V
C1063		NEA70JM-107X	E CAPACITOR	100μF,6.3V	C2053		NCB31CK-104X	CAPACITOR	0.1μF,16V
C1064		NCB31CK-104X	CAPACITOR	0.1μF,16V	C2054		NEA70JM-226X	E CAPACITOR	22μF,6.3V

#	△	REF No.	PART No.	PART NAME, DESCRIPTION		#	△	REF No.	PART No.	PART NAME, DESCRIPTION	
C2055			NEA70JM-226X	E CAPACITOR	22μF,6.3V	C3132			NCB31CK-104X	CAPACITOR	0.1μF,16V
C2056			NCB31CK-104X	CAPACITOR	0.1μF,16V	C3140			NCB31CK-104X	CAPACITOR	0.1μF,16V
C2057			NCF21CZ-105X	CAPACITOR	1μF,16V	C3141			NCB31CK-104X	CAPACITOR	0.1μF,16V
C2058			NEA70JM-226X	E CAPACITOR	22μF,6.3V	C3142			NDC31HJ-8R0X	CAPACITOR	8pF,50V
C2059			NEA70JM-226X	E CAPACITOR	22μF,6.3V	C3143			NDC31HJ-8R0X	CAPACITOR	8pF,50V
C2060			NCB31CK-104X	CAPACITOR	0.1μF,16V	C3501			NCB31CK-104X	CAPACITOR	0.1μF,16V
C2061			NCF21CZ-105X	CAPACITOR	1μF,16V	C3502			NCB31CK-104X	CAPACITOR	0.1μF,16V
C2062			NEA70JM-226X	E CAPACITOR	22μF,6.3V	C3503			NCB31CK-104X	CAPACITOR	0.1μF,16V
C2101			NCB31CK-104X	CAPACITOR	0.1μF,16V	C3504			NEA70JM-226X	E CAPACITOR	22μF,6.3V
C2102			NDC31HJ-151X	CAPACITOR	150pF,50V	C3505			NEA70JM-107X	E CAPACITOR	100μF,6.3V
C2104			NCB31EK-473X	CAPACITOR	0.047μF,25V	C3506			NEA70JM-226X	E CAPACITOR	22μF,6.3V
C2105			NBE21AM-106X	T CAPACITOR	10μF,10V	C3507			NDC31HJ-220X	CAPACITOR	22pF,50V
C2106			NCF21CZ-105X	CAPACITOR	1μF,16V	C3508			NDC31HJ-220X	CAPACITOR	22pF,50V
C2107			NCB31CK-104X	CAPACITOR	0.1μF,16V	C3509			NCB31CK-104X	CAPACITOR	0.1μF,16V
C2108			NEA70JM-226X	E CAPACITOR	22μF,6.3V	C3510			NCB31CK-104X	CAPACITOR	0.1μF,16V
C2109			NEA70JM-226X	E CAPACITOR	22μF,6.3V	C3511			NCB31CK-104X	CAPACITOR	0.1μF,16V
C2110			NEA70JM-226X	E CAPACITOR	22μF,6.3V	C3512			NRSA63J-0R0X	MG RESISTOR	0Ω, 1/16W
C2111			NCF21CZ-105X	CAPACITOR	1μF,16V	C3513			NCB31CK-104X	CAPACITOR	0.1μF,16V
C2112			NEA70JM-226X	E CAPACITOR	22μF,6.3V	C3514			NCB31CK-104X	CAPACITOR	0.1μF,16V
C2113			NCB31CK-104X	CAPACITOR	0.1μF,16V	C3515			NEA70JM-226X	E CAPACITOR	22μF,6.3V
C2114			NCB31EK-103X	CAPACITOR	0.01μF,25V	C3520			NEA70JM-107X	E CAPACITOR	100μF,6.3V
C2115			NCB31CK-104X	CAPACITOR	0.1μF,16V	C3521			NEA70JM-107X	E CAPACITOR	100μF,6.3V
C3001			NCB31CK-104X	CAPACITOR	0.1μF,16V	C3522			NCB31CK-104X	CAPACITOR	0.1μF,16V
C3002			NCB31CK-104X	CAPACITOR	0.1μF,16V	C3523			NEA70JM-226X	E CAPACITOR	22μF,6.3V
C3003			NCB31CK-104X	CAPACITOR	0.1μF,16V	C3524			NCB31CK-104X	CAPACITOR	0.1μF,16V
C3004			NCB31CK-104X	CAPACITOR	0.1μF,16V	C3525			NBE21AM-106X	T CAPACITOR	10μF,10V
C3005			NCB31CK-104X	CAPACITOR	0.1μF,16V	C3531			NDC31HJ-120X	CAPACITOR	12pF,50V
C3006			NCB31CK-104X	CAPACITOR	0.1μF,16V	C3532			NDC31HJ-150X	CAPACITOR	15pF,50V
C3007			NCB31CK-104X	CAPACITOR	0.1μF,16V	C3533			NDC31HJ-470X	CAPACITOR	47pF,50V
C3008			NCB31CK-104X	CAPACITOR	0.1μF,16V	C3534			NDC31HJ-390X	CAPACITOR	39pF,50V
C3009			NCB31CK-104X	CAPACITOR	0.1μF,16V	C3535			NCB31CK-104X	CAPACITOR	0.1μF,16V
C3010			NCB31CK-104X	CAPACITOR	0.1μF,16V	C3536			NDC31HJ-120X	CAPACITOR	12pF,50V
C3011			NEA70JM-226X	E CAPACITOR	22μF,6.3V	C3537			NDC31HJ-150X	CAPACITOR	15pF,50V
C3012			NCB31CK-104X	CAPACITOR	0.1μF,16V	C3538			NDC31HJ-470X	CAPACITOR	47pF,50V
C3013			NCB31CK-104X	CAPACITOR	0.1μF,16V	C3539			NDC31HJ-390X	CAPACITOR	39pF,50V
C3014			NCB31CK-104X	CAPACITOR	0.1μF,16V	C3540			NCB31CK-104X	CAPACITOR	0.1μF,16V
C3015			NCB31CK-104X	CAPACITOR	0.1μF,16V	C3701			NCF21CZ-105X	CAPACITOR	1μF,16V
C3016			NCB31CK-104X	CAPACITOR	0.1μF,16V	C3702			NCF21CZ-105X	CAPACITOR	1μF,16V
C3017			NCB31CK-104X	CAPACITOR	0.1μF,16V	C3703			NCB31CK-104X	CAPACITOR	0.1μF,16V
C3101			NCB31CK-104X	CAPACITOR	0.1μF,16V	C3704			NEA71CM-106X	E CAPACITOR	10μF,16V
C3102			QEKJ0JM-337	E CAPACITOR	330μF,6.3V	C3705			NDC31HJ-151X	CAPACITOR	150pF,50V
C3103			NCB31CK-104X	CAPACITOR	0.1μF,16V	C3706			NCB31CK-104X	CAPACITOR	0.1μF,16V
C3106			NEA70JM-226X	E CAPACITOR	22μF,6.3V	C3707			NCB31CK-104X	CAPACITOR	0.1μF,16V
C3107			NCB31CK-104X	CAPACITOR	0.1μF,16V	C3708			NDC31HJ-151X	CAPACITOR	150pF,50V
C3108			NEA70JM-226X	E CAPACITOR	22μF,6.3V	C3709			NEA71CM-106X	E CAPACITOR	10μF,16V
C3109			NCB31CK-104X	CAPACITOR	0.1μF,16V	C3710			NCB31CK-104X	CAPACITOR	0.1μF,16V
C3111			NCB31CK-104X	CAPACITOR	0.1μF,16V	C3711			NEA71CM-106X	E CAPACITOR	10μF,16V
C3112			NEA70JM-476X	E CAPACITOR	47μF,6.3V	C3712			NEA71CM-106X	E CAPACITOR	10μF,16V
C3113			NDC31HJ-220X	CAPACITOR	22pF,50V	C3713			NCB31CK-104X	CAPACITOR	0.1μF,16V
C3114			NDC31HJ-8R0X	CAPACITOR	8pF,50V	C3714			NEA71CM-106X	E CAPACITOR	10μF,16V
C3115			NDC31HJ-220X	CAPACITOR	22pF,50V	C3715			NCB31CK-104X	CAPACITOR	0.1μF,16V
C3116			NCB20JM-475X	CAPACITOR	4.7μF,6.3V	C3716			NCB31CK-104X	CAPACITOR	0.1μF,16V
C3118			NCB20JM-475X	CAPACITOR	4.7μF,6.3V	C3717			NEA71CM-106X	E CAPACITOR	10μF,16V
C3119			NCB31CK-104X	CAPACITOR	0.1μF,16V	C3718			NEA71CM-106X	E CAPACITOR	10μF,16V
C3121			NCB31CK-104X	CAPACITOR	0.1μF,16V	C3725			NCB31HK-332X	CAPACITOR	0.0033μF,50V
C3122			NDC31HJ-8R0X	CAPACITOR	8pF,50V	C3726			NCB31HK-682X	CAPACITOR	0.0068μF,50V
C3124			NDC31HJ-120X	CAPACITOR	12pF,50V	C3728			NCB31CK-104X	CAPACITOR	0.1μF,16V
C3125			NCB20JM-475X	CAPACITOR	4.7μF,6.3V	C3729			NEA71CM-476X	E CAPACITOR	47μF,16V
C3127			NCB31CK-104X	CAPACITOR	0.1μF,16V	C3730			NEA71CM-476X	E CAPACITOR	47μF,16V
C3128			NCB31CK-104X	CAPACITOR	0.1μF,16V	C3731			NCB31CK-104X	CAPACITOR	0.1μF,16V
C3131			NEA70JM-226X	E CAPACITOR	22μF,6.3V	C3733			NCB31HK-332X	CAPACITOR	0.0033μF,50V

#	△ REF No.	PART No.	PART NAME, DESCRIPTION
C3734		NCB31HK-682X	CAPACITOR 0.0068μF,50V
L1011		NQL144K-100X	COIL 10μH
L1012		NQL17CM-390X	COIL 39μH
L1013		NQL17CM-390X	COIL 39μH
L1015		NQL17CM-390X	COIL 39μH
L1018		NQL17CM-390X	COIL 39μH
L1501		NQL144K-100X	COIL 10μH
L1502		NQL144K-100X	COIL 10μH
L2001		NQL144K-100X	COIL 10μH
L2002		NQL144K-100X	COIL 10μH
L2003		NQL144K-100X	COIL 10μH
L2004		NQL144K-100X	COIL 10μH
L2005		NQL144K-100X	COIL 10μH
L2006		NQL144K-100X	COIL 10μH
L2007		NQL144K-100X	COIL 10μH
L2008		NQL144K-100X	COIL 10μH
L2009		NQL024J-2R2X	COIL 2.2μH
L2010		NQL024J-100X	COIL 10μH
L2011		NQL024J-120X	COIL 12μH
L2015		NQR0276-001X	COIL 10μH
L3103		NQL144K-100X	COIL 10μH
L3104		NQL144K-100X	COIL 10μH
L3111		NQL024J-150X	COIL 15μH
L3131		NQL024J-150X	COIL 15μH
L3151		NQL144K-100X	COIL 10μH
L3531		NQL024J-120X	COIL 12μH
L3532		NQL024J-270X	COIL 27μH
L3533		NQL024J-120X	COIL 12μH
L3534		NQL024J-270X	COIL 27μH
L3701		NQL144K-100X	COIL 10μH
L3702		NQL144K-100X	COIL 10μH
L4001		NQL144K-100X	COIL 10μH
LC1002		PELN1148-223X	NOISE FILTER
LC1003		PELN1148-223X	NOISE FILTER
LC1005		PELN1148-223X	NOISE FILTER
LC3101		PELN0969-04Y	NOISE FILTER
X1001		NAX0294-001X	RESONATOR
X1002		NAX0005-001X	CRYSTAL RESONATOR
X2001		NAX0141-001X	CRYSTAL RESONATOR
X2003		NAX0206-001X	CRYSTAL RESONATOR
X3101		NAX0218-001X	CRYSTAL RESONATOR
K1001		NQR0129-002X	FERRITE BEAD
K1011		NQR0129-002X	FERRITE BEAD
K1012		NQR0129-002X	FERRITE BEAD
K2001		NQR0129-002X	FERRITE BEAD
K3101		NQR0129-002X	FERRITE BEAD
J2001		QNZ0097-001	D CONNECTOR,DV IN/OUT
OT1		PU59915-105	#500SPACER0.01,C3102
OT2		PU59915-105	#500SPACER0.01,DV-GND
W1		NRSA02J-0R0X	MG RESISTOR,TL2023-TL2024 0Ω,1/16W
W2		NRSA02J-0R0X	MG RESISTOR,TL2022-TL2029 0Ω,1/16W
W3		NRSA02J-0R0X	MG RESISTOR,TL2074-TL2076 0Ω,1/16W
WR1		QUB350-04A1A	WIRE,DV-GND
CN1001		QGA2001F2-10V	CONNECTOR,(1-10)REG

#	△ REF No.	PART No.	PART NAME, DESCRIPTION
CN1002		QGF1016F2-06W	FFC/FPC CONNECTOR,(1-6)VHS MAIN
CN1101		QGB0801L1-26X	CONNECTOR,(1-26)JIG
CN1501		QGF0508F1-20X	FPC CONNECTOR,(1-20)PRE/REC
CN1502		QGF0503C1-15V	FFC/FPC CONNECTOR,(1-15)MECHA
CN2001		QGF0508F1-26X	FPC CONNECTOR,(1-26)DV PRE/REC
CN3501		QGA2001F2-06V	CONNECTOR,(1-6)VIDEO
CN3701		QGF1016F4-08W	FFC/FPC CONNECTOR,(1-8)AUDIO

LOADING MOTOR BOARD ASSEMBLY <55>

PW2	LPA10010-01A2	LOADING MOTOR BOARD ASSY
CN1	QGB2533K1-02	CONNECTOR

JOG BOARD ASSEMBLY <85>

PW6	LPA10126-01C6	JOG BOARD ASSY
UN7091	PEME0786-02	JOG SHUTTLE ASSY
FW7007	QUM036-06A4A4	PARA RIBON WIRE